

OFIT 475-SZ

REFRIGERATING CAPACITY (kW)

Tc	Te	
	-30	-25
40	9.77	12.60
45	8.81	11.41
50	7.85	10.23

POWER CONSUMPTION (kW)

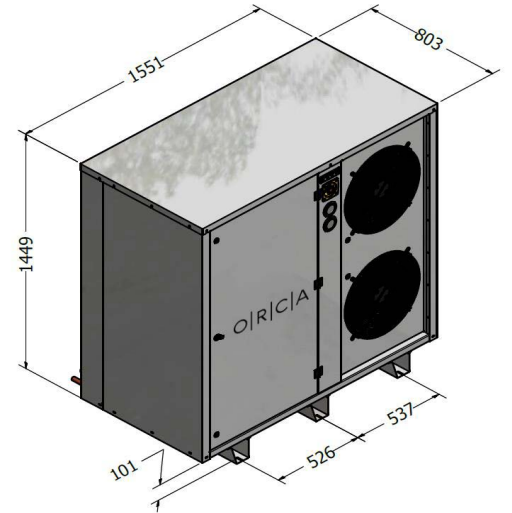
Tc	Te	
	-30	-25
40	5.88	6.71
45	5.99	6.88
50	6.09	7.04

Tc : Condensation temperature
Te : Evaporation temperature

Condenser

Condenser	
Compressor Model	H801CS
Compressor Brand	Dorin
Compressor Type	Semi Hermetic
Refrigerant	R404A
Voltage	400 V / 3 / 50 Hz

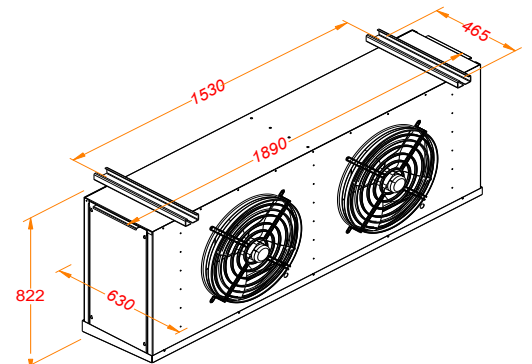
Chassis	
Chassis	TK 400x2
Fin Spacing	2,1 mm
Fan	2 x Ø 400 mm
Fan Brand	Embpapst
Consump. Capacity	606 Watt
Air Volume	6227 m ³ /h
Surface Area	60.24 m ²



Evaporator

Evaporator	
Evaporator	ORE 50.21.8
Fin Spacing	8 mm
Defrost	E2 12 x 400 Watt
Expansion	TV
Fan	2 x Ø 500 mm
Fan Brand	Ebmpapst
Consump. Capacity	1360 Watt
Air Volume	13223 m ³ /h
Surface Area	50.8 m ²
Number of Evap.	1

E : Electric
TV : Thermostatic valve



Pipe Diameters (inches)	
Suction Line	1 3/8"
Liquid Refrigerant Line	1/2"

P: +90 212 694 58 58
F: +90 212 694 58 59

info@tekop.com.tr

Gokevler Mah. 2245 Sok.
No:7 Holpark Sit.
Esenyurt/Istanbul/TURKEY