

### OCIT 380-SZ

#### REFRIGERATING CAPACITY (kW)

Tc	Te		
	-10	-5	0
40	18.04	22.05	26.64
45	16.31	19.99	24.21
50	14.57	17.89	21.73

#### POWER CONSUMPTION (kW)

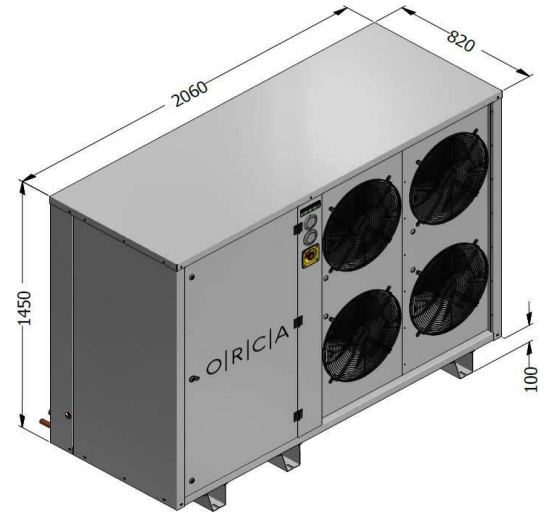
Tc	Te		
	-10	-5	0
40	7.00	7.56	8.04
45	7.34	8.00	8.59
50	7.63	8.38	9.09

Tc : Condensation temperature  
Te : Evaporation temperature

### Condenser

Condenser	
Compressor Model	H755CC
Compressor Brand	Dorin
Compressor Type	Semi Hermetic
Refrigerant	R404A
Voltage	400 V / 3 / 50 Hz

Chassis	
Chassis	TK 400x4
Fin Spacing	2,1 mm
Fan	4 x Ø 400 mm
Fan Brand	Embpapst
Consump. Capacity	640 Watt
Air Volume	13087 m <sup>3</sup> /h
Surface Area	70.49 m <sup>2</sup>

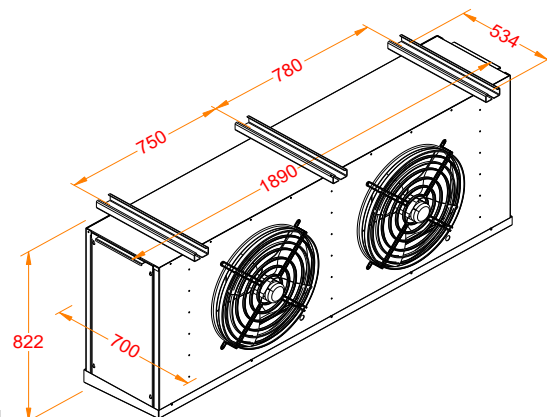


### Evaporator

Evaporator	
Evaporator	ORE 50.22.6
Fin Spacing	6 mm
Defrost	E1 9 x 400 Watt
Expansion	TV
Fan	2 x Ø 500 mm
Fan Brand	Ebmpapst
Consump. Capacity	1360 Watt
Air Volume	11680 m <sup>3</sup> /h
Surface Area	87.6 m <sup>2</sup>
Number of Evap.	1

E : Electric  
TV : Thermostatic valve

Pipe Diameters (inches)	
Suction Line	1 1/8"
Liquid Refrigerant Line	3/4"



P: +90 212 694 58 58  
F: +90 212 694 58 59

info@tekop.com.tr

Gokevler Mah. 2245 Sok.  
No:7 Holpark Sit.  
Esenyurt/Istanbul/TURKEY