

### OCIT 1155-SZ

#### REFRIGERATING CAPACITY (kW)

Tc	Te		
	-10	-5	0
40	57.69	69.83	83.95
45	52.51	63.52	76.34
50	47.30	57.19	68.73

#### POWER CONSUMPTION (kW)

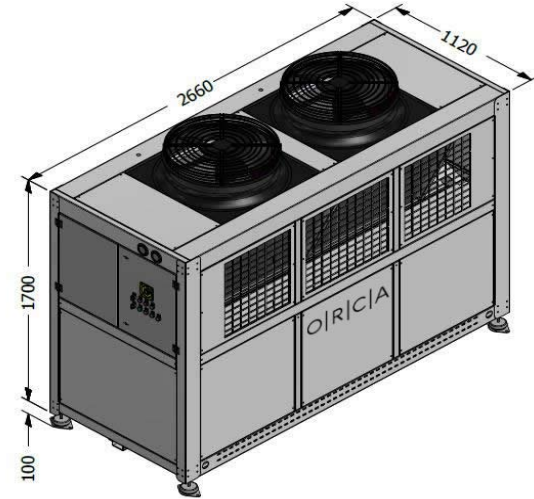
Tc	Te		
	-10	-5	0
40	21.76	23.65	25.27
45	22.65	24.89	26.90
50	23.52	26.09	28.48

Tc : Condensation temperature  
Te : Evaporation temperature

## Condenser

Condenser	
Compressor Model	H3400CC
Compressor Brand	Dorin
Compressor Type	Semi Hermetic
Refrigerant	R404A
Voltage	400 V / 3 / 50 Hz

Chassis	TK 106
Fin Spacing	2,5 mm
Fan	2 x Ø 630 mm
Fan Brand	Embpapst
Consump. Capacity	3940 Watt
Air Volume	28724 m <sup>3</sup> /h
Surface Area	285 m <sup>2</sup>

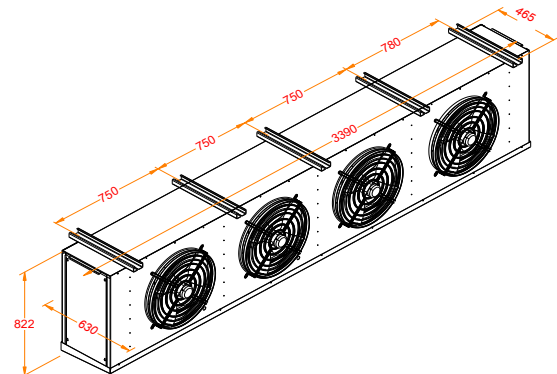


## Evaporator

Evaporator	ORE 50.41.6
Fin Spacing	6 mm
Defrost	E1 9 x 800 Watt
Expansion	TV
Fan	4 x Ø 500 mm
Fan Brand	Ebmpapst
Consump. Capacity	2720 Watt
Air Volume	25474 m <sup>3</sup> /h
Surface Area	131.5 m <sup>2</sup>
Number of Evap.	2

E : Electric  
TV : Thermostatic valve

Pipe Diameters (inches)	
Suction Line	2 1/8"
Liquid Refrigerant Line	1 1/8"



Evaporator values are given for 1 unit.

P:+90 212 694 58 58  
F:+90 212 694 58 59

info@tekop.com.tr

Gokevler Mah. 2245 Sok.  
No:7 Holpark Sit.  
Esenyurt/Istanbul/TURKEY