

0FST 475-HZ

REFRIGERATING CAPACITY (kW)

Tc	Te	
	-30	-25
40	3,79	5,14
45	3,29	4,51
50	2,80	3,90

POWER CONSUMPTION (kW)

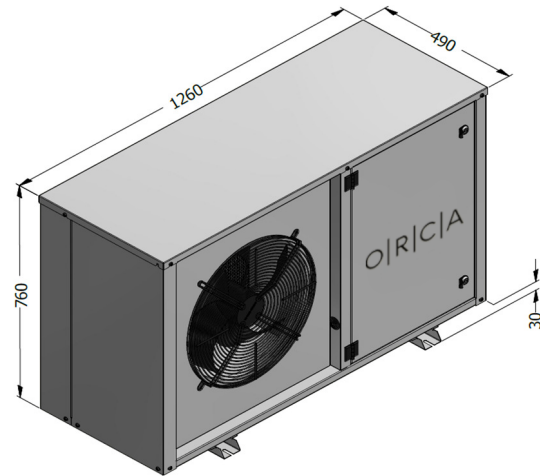
Tc	Te	
	-30	-25
40	2,91	3,45
45	2,86	3,45
50	2,83	3,43

Tc : Condensation temperature
Te : Evaporation temperature

Condenser

Condenser	
Compressor Model	TAG 2522 Z
Compressor Brand	Tecumseh
Compressor Type	Hermetic
Refrigerant	R404A
Voltage	380 V / 3 / 50 Hz

Chassis	
Chassis	TK 500"1021S"1x400
Fin Spacing	2,1 mm
Fan	1 x Ø 450 mm
Fan Brand	Embpapst
Consump. Capacity	303 Watt
Air Volume	4047,1 m ³ /h
Surface Area	33,89 m ²

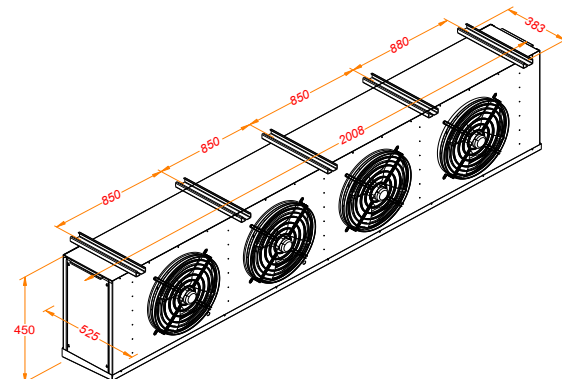


Evaporator

Evaporator	
Evaporator	ORE 30.42.6
Fin Spacing	6 mm
Defrost	E1 4 x 400 Watt
Expansion	TV
Fan	4 x Ø 300 mm
Fan Brand	Ebmpapst
Consump. Capacity	288 Watt
Air Volume	4340 m ³ /h
Surface Area	28,8 m ²
Number of Evap.	1

E : Electric
TV : Thermostatic valve

Pipe Diameters (inches)	
Suction Line	7/8"
Liquid Refrigerant Line	1/2"



P: +90 212 694 58 58
F: +90 212 694 58 59

info@tekop.com.tr

Gokevler Mah. 2245 Sok.
No:7 Holpark Sit.
Esenyurt/Istanbul/TURKEY