

OFST 145-HZ

REFRIGERATING CAPACITY (kW)
SOĞUTMA KAPASİTESİ (kW)

Tc	Te	
	-30	-25
40	1,12	1,46
45	0,99	1,30
50	0,86	1,15

POWER CONSUMPTION (kW)
KOMPRESÖR GÜCÜ (kW)

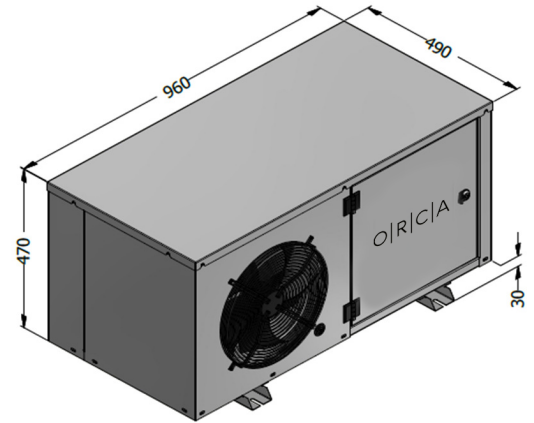
Tc	Te	
	-30	-25
40	0,98	1,12
45	0,99	1,14
50	0,99	1,15

Tc : Condensation temperature
Te : Evaporation temperature

Condenser

Condenser	
Compressor Model	CAJ 2464 FZ
Compressor Brand	Tecumseh
Compressor Type	Hermetic
Refrigerant	R404A
Voltage	220 V / 1 / 50 Hz

Chassis	
Chassis	TK 18"1021S"1x300
Fin Spacing	2,5 mm
Fan	1 x Ø 300 mm
Fan Brand	Embpapst
Consump. Capacity	110 Watt
Air Volume	1215,9 m ³ /h
Surface Area	11,44 m ²

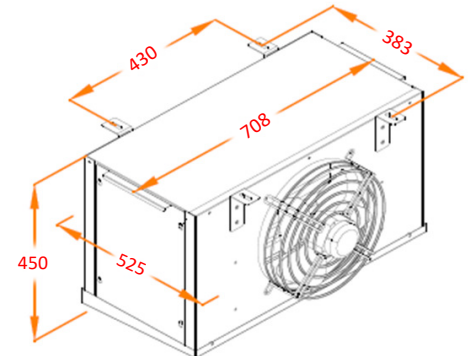


Evaporator

Evaporator	
Evaporator	ORE 30.12.6
Fin Spacing	6 mm
Defrost	E1 4 x 125 Watt
Expansion	TV
Fan	1 x Ø 300 mm
Fan Brand	Ebmpapst
Consump. Capacity	72 Watt
Air Volume	1050 m ³ /h
Surface Area	6,8 m ²
Number of Evap.	1

E : Electric
TV : Thermostatic valve

Pipe Diameters (inches)	
Suction Line	5/8"
Liquid Refrigerant Line	1/4"



P:+90 212 694 58 58
F:+90 212 694 58 59

info@tekop.com.tr

Gokevler Mah. 2245 Sok.
No:7 Holpark Sit.
Esenyurt/Istanbul/TURKEY