

OFMV 270-HZ

REFRIGERATING CAPACITY (kW)

Tc	Te	
	-30	-25
40	2,41	3,30
45	2,08	2,91
50	1,76	2,51

POWER CONSUMPTION (kW)

Tc	Te	
	-30	-25
40	1,80	2,13
45	1,79	2,15
50	1,76	2,15

Tc : Condensation temperature
Te : Evaporation temperature

Monoblock

Condenser

Compressor Model	FH 2511 XG
Compressor Brand	Tecumseh
Compressor Type	Hermetic
Refrigerant	R404A
Voltage	380 V / 3 / 50 Hz

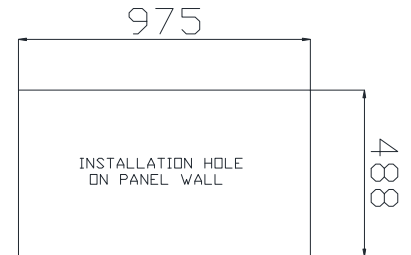
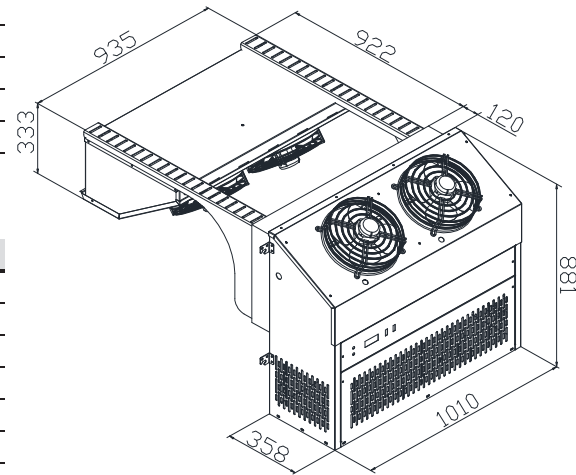
Chassis

Chassis	OFMV 270-HZ
Fin Spacing	2,5 mm
Fan	2 x Ø 300 mm
Fan Brand	Embpapst
Consump. Capacity	5775 Watt
Air Volume	1507,6 m ³ /h
Surface Area	17,66 m ²

Evaporator

Fin Spacing	6 mm
Defrost	E
Expansion	TV
Fan	2 x Ø 300 mm
Fan Brand	Ebmpapst
Consump. Capacity	3579 Watt
Air Volume	1147,2 m ³ /h
Air Throw	5 m
Surface Area	11,89 m ²
Number of Evap.	1

E : Electric
TV : Thermostatic valve



P:+90 212 694 58 58
F:+90 212 694 58 59

info@tekop.com.tr

Gokevler Mah. 2245 Sok.
No:7 Holpark Sit.
Esenyurt/Istanbul/TURKEY