

## OFMV 170-HZ

## REFRIGERATING CAPACITY (kW)

Tc	Te	
	-30	-25
40	1,72	2,35
45	1,48	2,07
50	1,25	1,79

## POWER CONSUMPTION (kW)

Tc	Te	
	-30	-25
40	1,25	1,47
45	1,24	1,48
50	1,22	1,49

Tc : Condensation temperature  
Te : Evaporation temperature

## Monoblock

## Condenser

Compressor Model	FH 2480 XG
Compressor Brand	Tecumseh
Compressor Type	Hermetic
Refrigerant	R404A
Voltage	380 V / 3 / 50 Hz

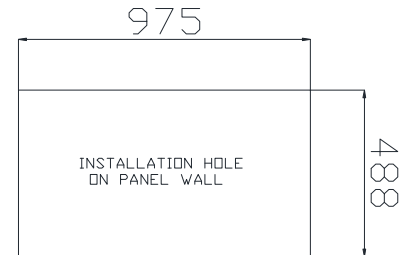
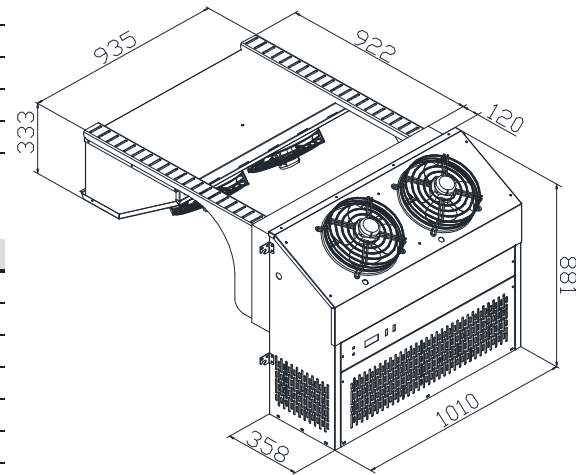
## Chassis

Chassis	OFMV 170-HZ
Fin Spacing	2,5 mm
Fan	2 x Ø 300 mm
Fan Brand	Embpapst
Consump. Capacity	5775 Watt
Air Volume	1507,6 m <sup>3</sup> /h
Surface Area	17,66 m <sup>2</sup>

## Evaporator

Fin Spacing	6 mm
Defrost	E
Expansion	TV
Fan	2 x Ø 300 mm
Fan Brand	Ebmpapst
Consump. Capacity	3579 Watt
Air Volume	1147,2 m <sup>3</sup> /h
Air Throw	5 m
Surface Area	11,89 m <sup>2</sup>
Number of Evap.	1

E : Electric  
TV : Thermostatic valve



P:+90 212 694 58 58  
F:+90 212 694 58 59

info@tekop.com.tr

Gokevler Mah. 2245 Sok.  
No:7 Holpark Sit.  
Esenyurt/Istanbul/TURKEY