

OFMV 145-HZ

REFRIGERATING CAPACITY (kW)

Tc	Te	
	-30	-25
40	1,10	1,44
45	0,97	1,29
50	0,85	1,13

POWER CONSUMPTION (kW)

Tc	Te	
	-30	-25
40	0,96	1,10
45	0,96	1,11
50	0,96	1,12

Tc : Condensation temperature
Te : Evaporation temperature

Monoblock

Condenser

Compressor Model	CAJ 2464 Z
Compressor Brand	Tecumseh
Compressor Type	Hermetic
Refrigerant	R404A
Voltage	220 V / 1 / 50 Hz

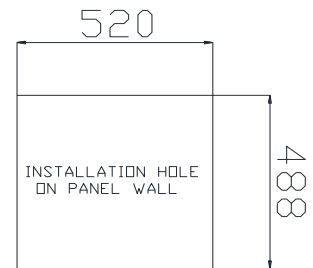
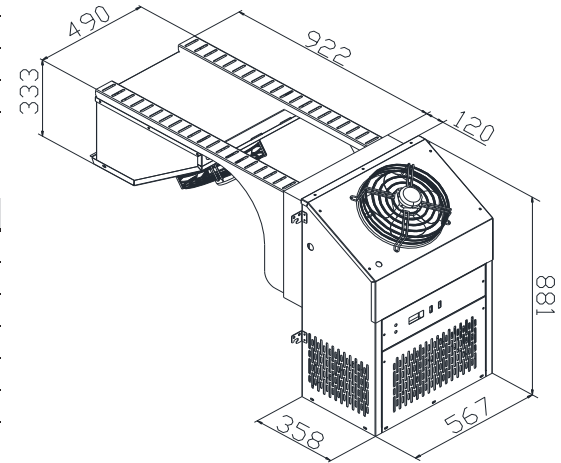
Chassis

OFMV 145-HZ	
Fin Spacing	2,5 mm
Fan	1 x Ø 300 mm
Fan Brand	Embpapst
Consump. Capacity	3712 Watt
Air Volume	754,1 m ³ /h
Surface Area	7,13 m ²

Evaporator

Fin Spacing	6 mm
Defrost	E
Expansion	TV
Fan	1 x Ø 300 mm
Fan Brand	Ebmpapst
Consump. Capacity	1054 Watt
Air Volume	550,8 m ³ /h
Air Throw	6 m
Surface Area	5,36 m ²
Number of Evap.	1

E : Electric
TV : Thermostatic valve



P:+90 212 694 58 58
F:+90 212 694 58 59

info@tekop.com.tr

Gokevler Mah. 2245 Sok.
No:7 Holpark Sit.
Esenyurt/Istanbul/TURKEY