

OFIT 995-SZ

REFRIGERATING CAPACITY (kW)

Tc	Te	
	-30	-25
40	20.46	26.07
45	18.55	23.69
50	16.63	21.29

POWER CONSUMPTION (kW)

Tc	Te	
	-30	-25
40	11.01	12.94
45	11.15	13.17
50	10.11	13.47

Tc : Condensation temperature
Te : Evaporation temperature

Condenser

Condenser	
Compressor Model	H2500CS
Compressor Brand	Dorin
Compressor Type	Semi Hermetic
Refrigerant	R404A
Voltage	400 V / 3 / 50 Hz

Chassis	
Chassis	TK 047
Fin Spacing	2,5 mm
Fan	2 x Ø 500 mm
Fan Brand	Ebmpapst
Consump. Capacity	1360 Watt
Air Volume	13498 m ³ /h
Surface Area	118.3 m ²

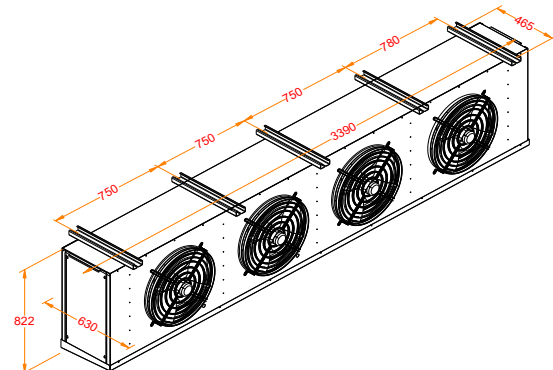


Evaporator

Evaporator	
Evaporator	ORE 50.41.8
Fin Spacing	8 mm
Defrost	E2 15 x 1050 Watt
Expansion	TV
Fan	4 x Ø 500 mm
Fan Brand	Ebmpapst
Consump. Capacity	2840 Watt
Air Volume	26450 m ³ /h
Surface Area	101.7 m ²
Number of Evap.	1

E : Electric
TV : Thermostatic valve

Pipe Diameters (inches)	
Suction Line	1 5/8"
Liquid Refrigerant Line	1 1/8"



P: +90 212 694 58 58
F: +90 212 694 58 59

info@tekop.com.tr

Gokevler Mah. 2245 Sok.
No:7 Holpark Sit.
Esenyurt/Istanbul/TURKEY