

OFIT 850-SZ

REFRIGERATING CAPACITY (kW)

Tc	Te	
	-30	-25
40	17.69	22.73
45	15.94	20.57
50	14.18	18.40

POWER CONSUMPTION (kW)

Tc	Te	
	-30	-25
40	9.84	11.53
45	9.94	11.72
50	10.11	11.96

Tc : Condensation temperature
Te : Evaporation temperature

Condenser

Condenser	
Compressor Model	H2000CS
Compressor Brand	Dorin
Compressor Type	Semi Hermetic
Refrigerant	R404A
Voltage	400 V / 3 / 50 Hz

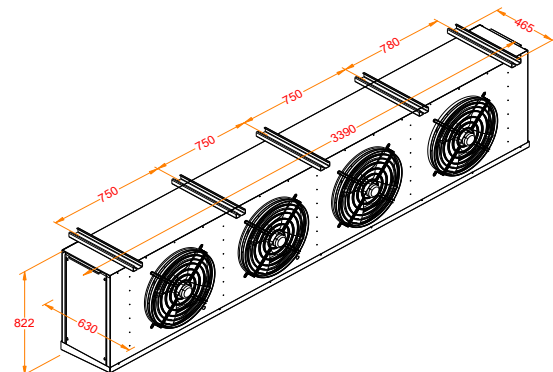
Chassis	
Fin Spacing	TK 040
Fin Spacing	2,5 mm
Fan	2 x Ø 500 mm
Fan Brand	Ebmpapst
Consump. Capacity	1360 Watt
Air Volume	14195 m ³ /h
Surface Area	94.6 m ²



Evaporator

Evaporator	
Evaporator	ORE 50.41.8
Fin Spacing	8 mm
Defrost	E2 15 x 1050 Watt
Expansion	TV
Fan	4 x Ø 500 mm
Fan Brand	Ebmpapst
Consump. Capacity	2840 Watt
Air Volume	26450 m ³ /h
Surface Area	101.7 m ²
Number of Evap.	1

E : Electric
TV : Thermostatic valve



Pipe Diameters (inches)	
Suction Line	1 5/8"
Liquid Refrigerant Line	1 1/8"

P: +90 212 694 58 58
F: +90 212 694 58 59

info@tekop.com.tr

Gokevler Mah. 2245 Sok.
No:7 Holpark Sit.
Esenyurt/Istanbul/TURKEY