

OFIT 770-SZ

REFRIGERATING CAPACITY (kW)

Tc	Te	
	-30	-25
40	14.88	19.25
45	13.33	17.32
50	11.79	15.40

POWER CONSUMPTION (kW)

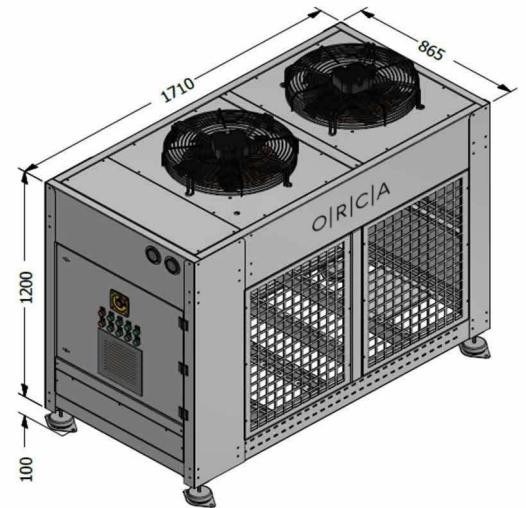
Tc	Te	
	-30	-25
40	8.81	10.13
45	9.00	10.43
50	9.22	10.76

Tc : Condensation temperature
Te : Evaporation temperature

Condenser

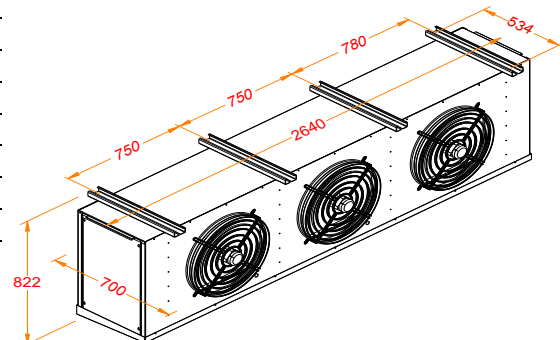
Condenser	
Compressor Model	H1601CS
Compressor Brand	Dorin
Compressor Type	Semi Hermetic
Refrigerant	R404A
Voltage	400 V / 3 / 50 Hz

Chassis	TK 030 V2
Fin Spacing	2,5 mm
Fan	2 x Ø 500 mm
Fan Brand	Ebmpapst
Consump. Capacity	1360 Watt
Air Volume	11765 m ³ /h
Surface Area	62 m ²



Evaporator

Evaporator	
Evaporator	ORE 50.32.8
Fin Spacing	8 mm
Defrost	E2 15 x 800 Watt
Expansion	TV
Fan	3 x Ø 500 mm
Fan Brand	Ebmpapst
Consump. Capacity	2130 Watt
Air Volume	18310 m ³ /h
Surface Area	101.7 m ²
Number of Evap.	1



Pipe Diameters (inches)	
Suction Line	1 5/8"
Liquid Refrigerant Line	7/8"

P:+90 212 694 58 58
F:+90 212 694 58 59

info@tekop.com.tr

Gokevler Mah. 2245 Sok.
No:7 Holpark Sit.
Esenyurt/Istanbul/TURKEY