

### OFIT 665-SZ

#### REFRIGERATING CAPACITY (kW)

Tc	Te	
	-30	-25
40	13.42	17.24
45	12.03	15.55
50	10.62	13.85

#### POWER CONSUMPTION (kW)

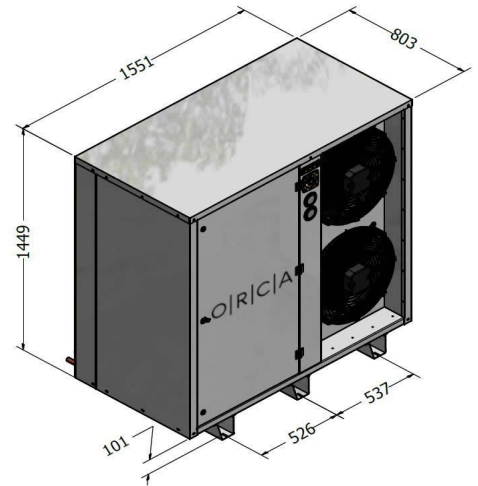
Tc	Te	
	-30	-25
40	7.73	8.90
45	7.86	9.10
50	8.02	9.35

Tc : Condensation temperature  
Te : Evaporation temperature

### Condenser

Condenser	
Compressor Model	H1501CS
Compressor Brand	Dorin
Compressor Type	Semi Hermetic
Refrigerant	R404A
Voltage	400 V / 3 / 50 Hz

Chassis	TK 500x2
Fin Spacing	2,1 mm
Fan	2 x Ø 500 mm
Fan Brand	Ebmpapst
Consump. Capacity	1360 Watt
Air Volume	10074 m <sup>3</sup> /h
Surface Area	60.24 m <sup>2</sup>

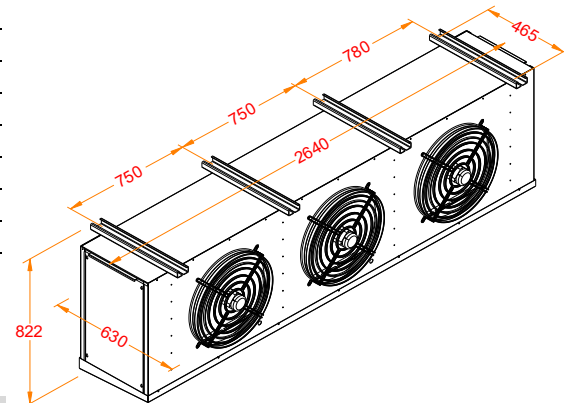


### Evaporator

Evaporator	ORE 50.31.8
Fin Spacing	8 mm
Defrost	E2 15 x 800 Watt
Expansion	TV
Fan	3 x Ø 500 mm
Fan Brand	Ebmpapst
Consump. Capacity	2130 Watt
Air Volume	19830 m <sup>3</sup> /h
Surface Area	76.3 m <sup>2</sup>
Number of Evap.	1

E : Electric  
TV : Thermostatic valve

Pipe Diameters (inches)	
Suction Line	1 3/8"
Liquid Refrigerant Line	7/8"



P:+90 212 694 58 58  
F:+90 212 694 58 59

info@tekop.com.tr

Gokevler Mah. 2245 Sok.  
No:7 Holpark Sit.  
Esenyurt/Istanbul/TURKEY