

## OFIT 380-SZ

## REFRIGERATING CAPACITY (kW)

Tc	Te	
	-30	-25
40	7.05	9.15
45	6.33	8.23
50	5.62	7.32

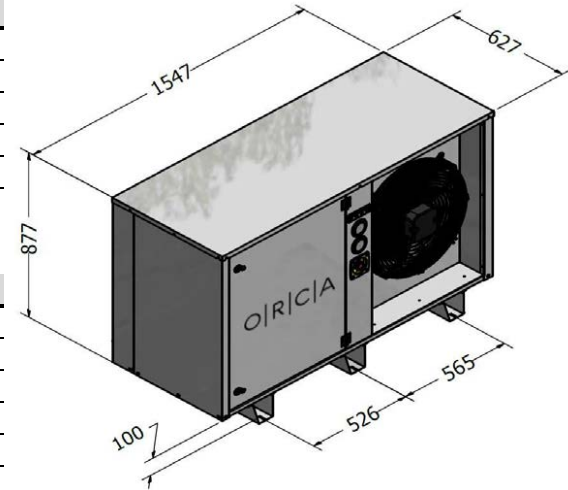
## POWER CONSUMPTION (kW)

Tc	Te	
	-30	-25
40	4.27	4.95
45	4.33	5.05
50	4.37	5.13

Tc : Condensation temperature - Kondenzasyon sıcaklığı

## Condenser

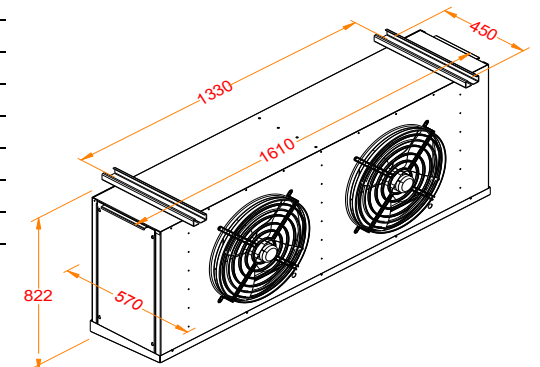
Condenser	
Compressor Model	H705CS
Compressor Brand	Dorin
Compressor Type	Semi Hermetic
Refrigerant	R404A
Voltage	400 V / 3 / 50 Hz
Chassis	
Chassis	TK 500x1
Fin Spacing	2,1 mm
Fan	1 x Ø 500 mm
Fan Brand	Ebmpapst
Consump. Capacity	680 Watt
Air Volume	6103.8 m <sup>3</sup> /h
Surface Area	39.38 m <sup>2</sup>



## Evaporator

Evaporator	
Evaporator	ORE 45.22.8
Fin Spacing	8 mm
Defrost	E2 15 x 400 Watt
Expansion	TV
Fan	2 x Ø 450 mm
Fan Brand	Ebmpapst
Consump. Capacity	490 Watt
Air Volume	9080 m <sup>3</sup> /h
Surface Area	44.1 m <sup>2</sup>
Number of Evap.	1

E : Electric  
TV : Thermostatic valve



Pipe Diameters (inches)	
Suction Line	1 1/8"
Liquid Refrigerant Line	1/2"

P: +90 212 694 58 58  
F: +90 212 694 58 59

info@tekop.com.tr

Gokevler Mah. 2245 Sok.  
No:7 Holpark Sit.  
Esenyurt/Istanbul/TURKEY