

OFIT 255-SZ

REFRIGERATING CAPACITY (kW)

Tc	Te	
	-30	-25
40	4.19	5.49
45	3.75	4.94
50	3.32	4.40

POWER CONSUMPTION (kW)

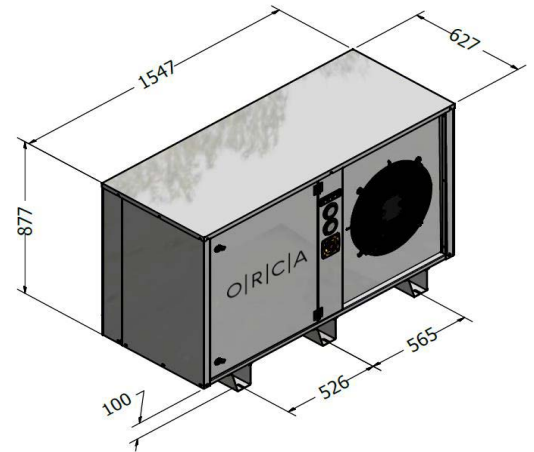
Tc	Te	
	-30	-25
40	2.65	3.07
45	2.69	3.15
50	2.73	3.22

Tc : Condensation temperature
Te : Evaporation temperature

Condenser

Condenser	
Compressor Model	H355CS
Compressor Brand	Dorin
Compressor Type	Semi Hermetic
Refrigerant	R404A
Voltage	400 V / 3 / 50 Hz

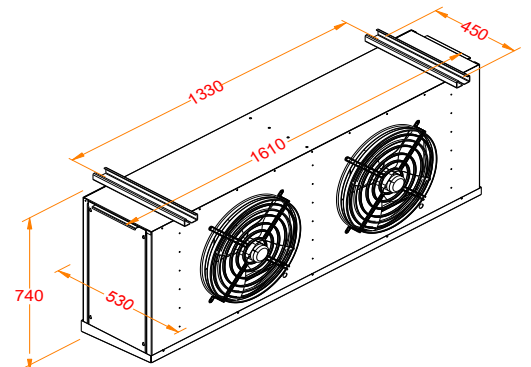
Chassis	TK 450x1
Fin Spacing	2,1 mm
Fan	1 x Ø 450 mm
Fan Brand	Ebmpapst
Consump. Capacity	245 Watt
Air Volume	4703.8 m ³ /h
Surface Area	29.53 m ²



Evaporator

Evaporator	ORE 40.21.8
Fin Spacing	8 mm
Defrost	E2 12 x 400 Watt
Expansion	TV
Fan	2 x Ø 400 mm
Fan Brand	Ebmpapst
Consump. Capacity	438 Watt
Air Volume	7380 m ³ /h
Surface Area	25.7 m ²
Number of Evap.	1

E : Electric
TV : Thermostatic valve



Pipe Diameters (inches)	
Suction Line	1 1/8"
Liquid Refrigerant Line	1/2"

P:+90 212 694 58 58
F:+90 212 694 58 59

info@tekop.com.tr

Gokevler Mah. 2245 Sok.
No:7 Holpark Sit.
Esenyurt/Istanbul/TURKEY