

OFIT 2070-SZ

REFRIGERATING CAPACITY (kW)

Tc	Te	
	-30	-25
40	38.13	49.50
45	34.01	44.44
50	29.92	39.39

POWER CONSUMPTION (kW)

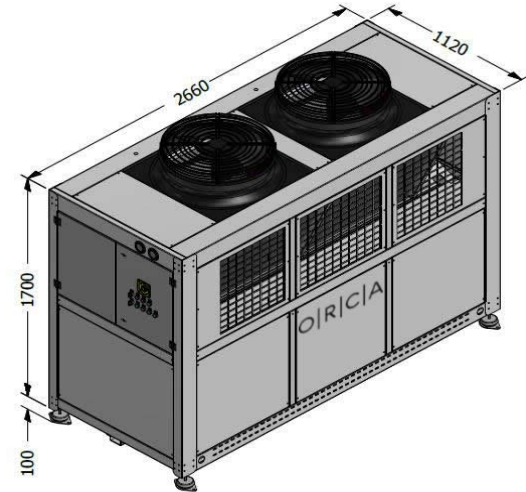
Tc	Te	
	-30	-25
40	21.92	25.79
45	22.00	26.11
50	22.15	26.47

Tc : Condensation temperature
Te : Evaporation temperature

Condenser

Condenser	
Compressor Model	H5001CS
Compressor Brand	Dorin
Compressor Type	Semi Hermetic
Refrigerant	R404A
Voltage	400 V / 3 / 50 Hz

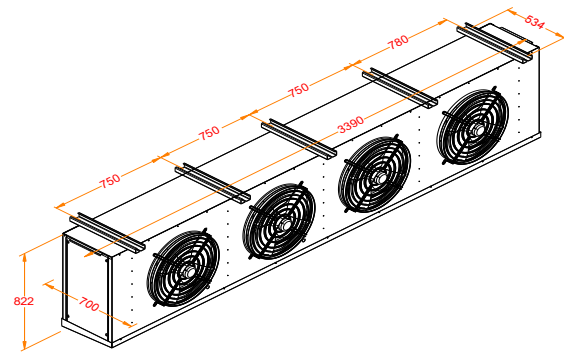
Chassis	TK 106
Fin Spacing	2,5 mm
Fan	2 x Ø 630 mm
Fan Brand	Ebmpapst
Consump. Capacity	3940 Watt
Air Volume	28724 m ³ /h
Surface Area	285.6 m ²



Evaporator

Evaporator	ORE 50.42.8
Fin Spacing	8 mm
Defrost	E2 15 x1050 Watt
Expansion	TV
Fan	4 x Ø 500 mm
Fan Brand	Ebmpapst
Consump. Capacity	2840 Watt
Air Volume	24420 m ³ /h
Surface Area	135.6 m ²
Number of Evap.	2

E : Electric
TV : Thermostatic valve



Evaporator values are given for 1 unit.

Pipe Diameters (inches)	
Suction Line	1 5/8"
Liquid Refrigerant Line	1 2/8"

P:+90 212 694 58 58
F:+90 212 694 58 59

info@tekop.com.tr

Gokevler Mah. 2245 Sok.
No:7 Holpark Sit.
Esenyurt/Istanbul/TURKEY