

## OFIT 1540-SZ

## REFRIGERATING CAPACITY (kW)

Tc	Te	
	-30	-25
40	33.39	42.39
45	30.25	38.58
50	27.01	34.68

## POWER CONSUMPTION (kW)

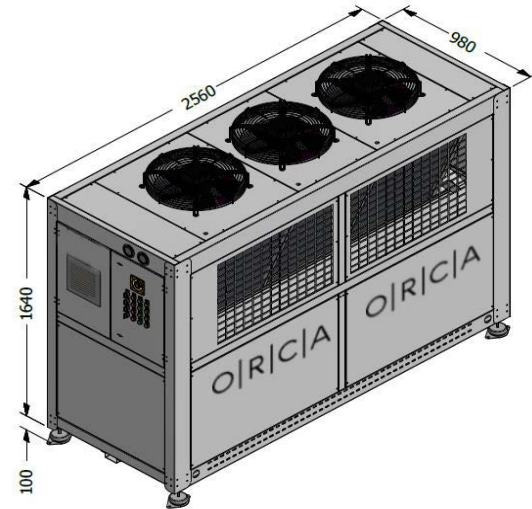
Tc	Te	
	-30	-25
40	20.67	23.58
45	20.99	24.15
50	21.16	24.58

Tc : Condensation temperature  
Te : Evaporation temperature

## Condenser

Condenser	
Compressor Model	H4000CS
Compressor Brand	Dorin
Compressor Type	Semi Hermetic
Refrigerant	R404A
Voltage	400 V / 3 / 50 Hz

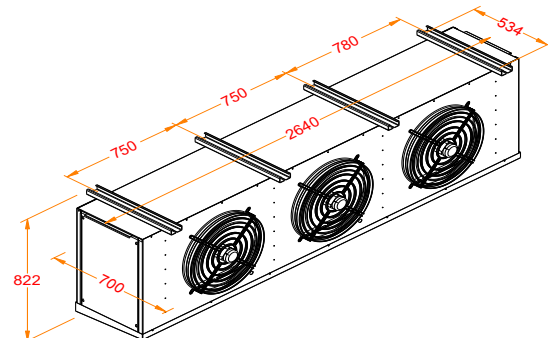
Chassis	
Chassis	TK 070
Fin Spacing	2,5 mm
Fan	3 x Ø 500 mm
Fan Brand	Ebmpapst
Consump. Capacity	2040 Watt
Air Volume	23670 m <sup>3</sup> /h
Surface Area	171.4 m <sup>2</sup>



## Evaporator

Evaporator	
Evaporator	ORE 50.32.8
Fin Spacing	8 mm
Defrost	E2 15 x 800 Watt
Expansion	TV
Fan	3 x Ø 500 mm
Fan Brand	Ebmpapst
Consump. Capacity	2130 Watt
Air Volume	18310 m <sup>3</sup> /h
Surface Area	101.7 m <sup>2</sup>
Number of Evap.	2

E : Electric  
TV : Thermostatic valve



Evaporator values are given for 1 unit.

Pipe Diameters (inches)	
Suction Line	1 5/8"
Liquid Refrigerant Line	1 1/8"

P:+90 212 694 58 58  
F:+90 212 694 58 59

info@tekop.com.tr

Gokevler Mah. 2245 Sok.  
No:7 Holpark Sit.  
Esenyurt/Istanbul/TURKEY