

OFIT 1340-SZ

REFRIGERATING CAPACITY (kW)

Tc	Te	
	-30	-25
40	26.03	33.45
45	23.43	30.27
50	20.82	27.07

POWER CONSUMPTION (kW)

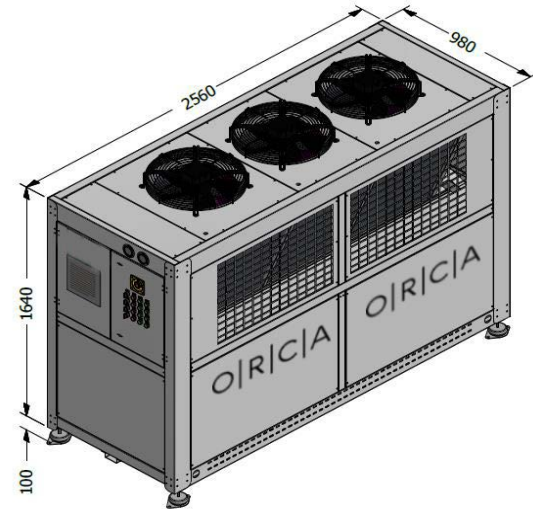
Tc	Te	
	-30	-25
40	14.14	16.67
45	14.17	16.89
50	14.24	17.13

Tc : Condensation temperature
Te : Evaporation temperature

Condenser

Condenser	
Compressor Model	H3000CS
Compressor Brand	Dorin
Compressor Type	Semi Hermetic
Refrigerant	R404A
Voltage	400 V / 3 / 50 Hz

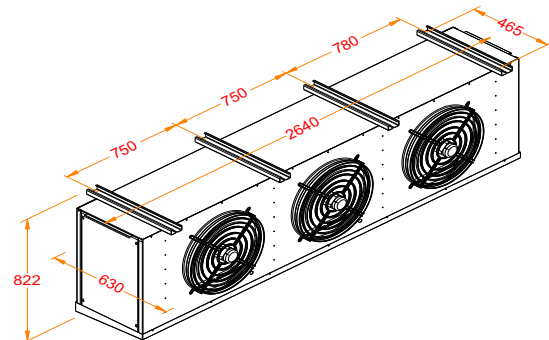
Chassis	
Chassis	TK 070
Fin Spacing	2,5 mm
Fan	3 x Ø 500 mm
Fan Brand	Ebmpapst
Consump. Capacity	2040 Watt
Air Volume	23670 m ³ /h
Surface Area	171.4 m ²



Evaporator

Evaporator	
Evaporator	ORE 50.31.8
Fin Spacing	8 mm
Defrost	E2 15 x 800 Watt
Expansion	TV
Fan	3 x Ø 500 mm
Fan Brand	Ebmpapst
Consump. Capacity	2130 Watt
Air Volume	19830 m ³ /h
Surface Area	76.3 m ²
Number of Evap.	2

E : Electric
TV : Thermostatic valve



Evaporator values are given for 1 unit.

Pipe Diameters (inches)	
Suction Line	1 3/8"
Liquid Refrigerant Line	7/8"

P: +90 212 694 58 58
F: +90 212 694 58 59



info@tekop.com.tr



Gokevler Mah. 2245 Sok.
No:7 Holpark Sit.
Esenyurt/Istanbul/TURKEY

