

OCST 890-HZ

REFRIGERATING CAPACITY (kW)

	Tc		
	-10	-5	0
40	8,08	10,26	12,79
45	7,11	9,08	11,36
50	6,13	7,91	9,95

POWER CONSUMPTION (kW)

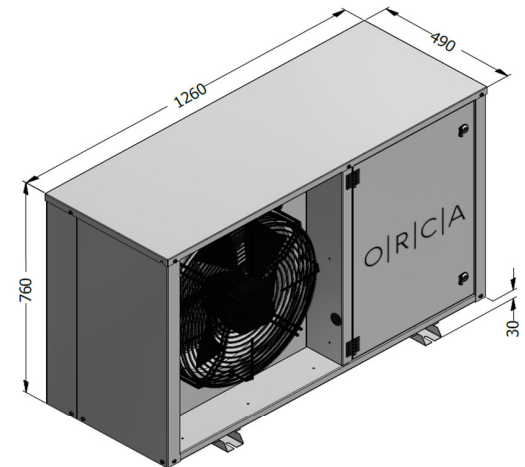
	Tc		
	-10	-5	0
40	3,72	4,15	5,60
45	3,78	4,26	4,73
50	3,82	4,34	4,85

Tc : Condensation temperature
Te : Evaporation temperature

Condenser

Condenser	
Compressor Model	TAG 4561 Z
Compressor Brand	Tecumseh
Compressor Type	Hermetic
Refrigerant	R404A
Voltage	380 V / 3 / 50 Hz

Chassis	
Chassis	TK 500"1021S"1x500
Fin Spacing	2,1 mm
Fan	1 x Ø 500 mm
Fan Brand	Embpapst
Consump. Capacity	680 Watt
Air Volume	5402,1 m ³ /h
Surface Area	33,89 m ²

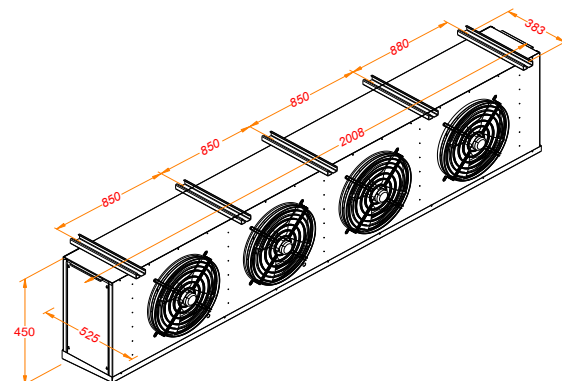


Evaporator

Evaporator	
Evaporator	ORE 30.42.6
Fin Spacing	6 mm
Defrost	E1 4 x 400 Watt
Expansion	TV
Fan	4 x Ø 300 mm
Fan Brand	Ebmpapst
Consump. Capacity	288 Watt
Air Volume	4340 m ³ /h
Surface Area	28,8 m ²
Number of Evap.	1

E : Electric
TV : Thermostatic valve

Pipe Diameters (inches)	
Suction Line	7/8"
Liquid Refrigerant Line	1/2"



P: +90 212 694 58 58
F: +90 212 694 58 59

info@tekop.com.tr

Gokevler Mah. 2245 Sok.
No:7 Holpark Sit.
Esenyurt/Istanbul/TURKEY