

OCST 670-HZ

REFRIGERATING CAPACITY (kW)

	Tc		
	-10	-5	0
40	5,42	6,75	8,26
45	4,84	6,06	7,44
50	4,25	5,35	6,60

Tc : Condensation temperature
Te : Evaporation temperature

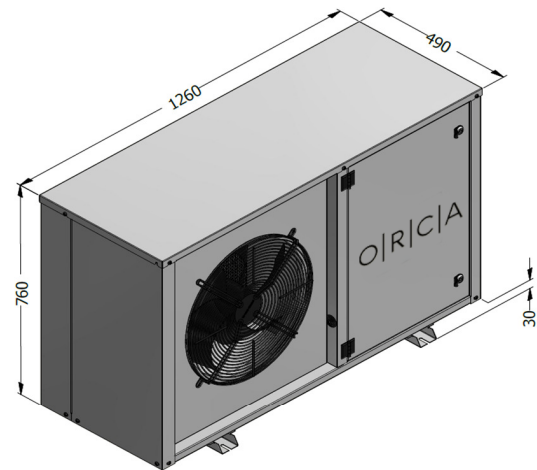
POWER CONSUMPTION (kW)

	Tc		
	-10	-5	0
40	2,30	2,50	2,67
45	2,39	2,61	2,82
50	2,46	2,72	2,95

Condenser

Condenser	
Compressor Model	FH 4538 XG
Compressor Brand	Tecumseh
Compressor Type	Hermetic
Refrigerant	R404A
Voltage	380 V / 3 / 50 Hz

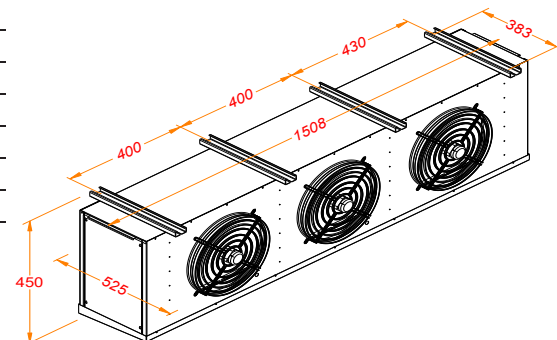
Chassis	
Chassis	TK 500"1021S"1x450
Fin Spacing	2,1 mm
Fan	1 x Ø 450 mm
Fan Brand	Embpapst
Consump. Capacity	303 Watt
Air Volume	4047,1 m ³ /h
Surface Area	33,89 m ²



Evaporator

Evaporator	
Evaporator	ORE 30.32.6
Fin Spacing	6 mm
Defrost	E1 4 x 300 Watt
Expansion	TV
Fan	3 x Ø 300 mm
Fan Brand	Ebmpapst
Consump. Capacity	216 Watt
Air Volume	3140 m ³ /h
Surface Area	20,4 m ²
Number of Evap.	1

E : Electric
TV : Thermostatic valve



Pipe Diameters (inches)	
Suction Line	3/4"
Liquid Refrigerant Line	1/2"

P: +90 212 694 58 58
F: +90 212 694 58 59

info@tekop.com.tr

Gokevler Mah. 2245 Sok.
No:7 Holpark Sit.
Esenyurt/Istanbul/TURKEY