

### OCST 385-HZ

#### REFRIGERATING CAPACITY (kW)

	Te		
	-10	-5	0
40	3,36	4,29	5,35
45	2,94	3,78	4,74
50	2,53	3,28	4,14

#### POWER CONSUMPTION (kW)

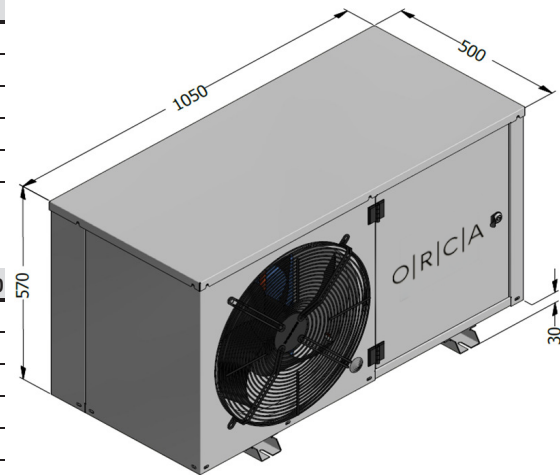
	Te		
	-10	-5	0
40	1,48	1,64	1,76
45	1,51	1,68	1,83
50	1,52	1,72	1,89

Tc : Condensation temperature  
Te : Evaporation temperature

### Condenser

Condenser	
Compressor Model	FH 4524 XG
Compressor Brand	Tecumseh
Compressor Type	Hermetic
Refrigerant	R404A
Voltage	380 V / 3 / 50 Hz

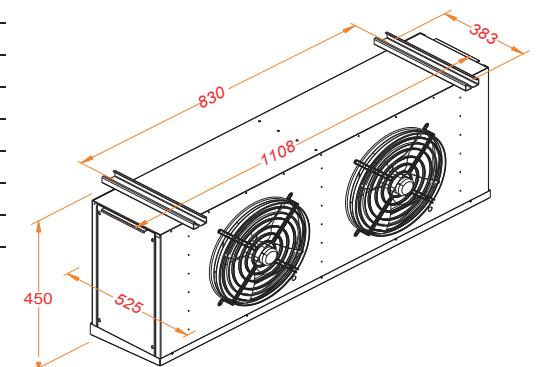
Chassis	
Chassis	TK 400"1021S"1x450
Fin Spacing	3,0 mm
Fan	1 x Ø 400 mm
Fan Brand	Embpapst
Consump. Capacity	303 Watt
Air Volume	3551,7 m <sup>3</sup> /h
Surface Area	10,43 m <sup>2</sup>



### Evaporator

Evaporator	
Evaporator	ORE 30.22.6
Fin Spacing	6 mm
Defrost	E1 4 x 200 Watt
Expansion	TV
Fan	2 x Ø 300 mm
Fan Brand	Ebmpapst
Consump. Capacity	144 Watt
Air Volume	2090 m <sup>3</sup> /h
Surface Area	13,6 m <sup>2</sup>
Number of Evap.	1

E : Electric  
TV : Thermostatic valve



Pipe Diameters (inches)	
Suction Line	5/8"
Liquid Refrigerant Line	3/8"

P: +90 212 694 58 58  
F: +90 212 694 58 59

info@tekop.com.tr

Gokevler Mah. 2245 Sok.  
No:7 Holpark Sit.  
Esenyurt/Istanbul/TURKEY