

OCST 325-HZ

REFRIGERATING CAPACITY (kW)

	Tc		
	-10	-5	0
40	3,01	3,71	4,51
45	2,70	3,34	4,07
50	2,39	3,20	3,62

POWER CONSUMPTION (kW)

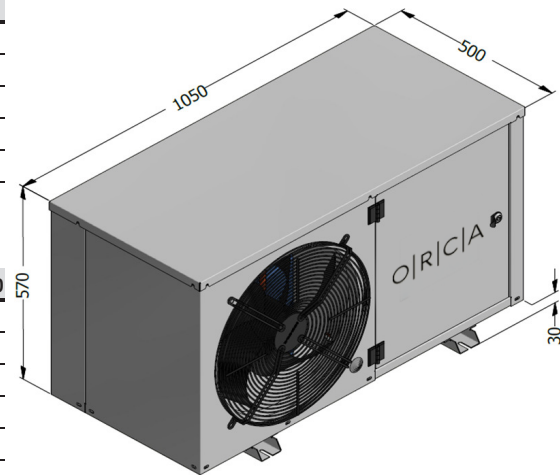
	Tc		
	-10	-5	0
40	1,54	1,66	1,78
45	1,60	1,73	1,86
50	1,59	1,80	1,94

Tc : Condensation temperature
Te : Evaporation temperature

Condenser

Condenser	
Compressor Model	CAJ 4519 FZ
Compressor Brand	Tecumseh
Compressor Type	Hermetic
Refrigerant	R404A
Voltage	220 V / 1 / 50 Hz

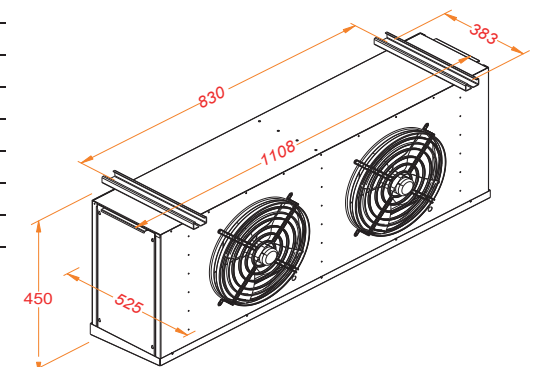
Chassis	
Chassis	TK 400"1021S"1x450
Fin Spacing	3,0 mm
Fan	1 x Ø 400 mm
Fan Brand	Embpapst
Consump. Capacity	303 Watt
Air Volume	3551,7 m ³ /h
Surface Area	10,43 m ²



Evaporator

Evaporator	
Evaporator	ORE 30.22.6
Fin Spacing	6 mm
Defrost	E1 4 x 200 Watt
Expansion	TV
Fan	2 x Ø 300 mm
Fan Brand	Ebmpapst
Consump. Capacity	144 Watt
Air Volume	2090 m ³ /h
Surface Area	13,6 m ²
Number of Evap.	1

E : Electric
TV : Thermostatic valve



Pipe Diameters (inches)	
Suction Line	5/8"
Liquid Refrigerant Line	3/8"

P: +90 212 694 58 58
F: +90 212 694 58 59

info@tekop.com.tr

Gokevler Mah. 2245 Sok.
No:7 Holpark Sit.
Esenyurt/Istanbul/TURKEY