

OCST 245-HZ

REFRIGERATING CAPACITY (kW)

	Tc		
	-10	-5	0
40	2,45	3,02	3,65
45	2,20	2,72	3,30
50	1,96	2,42	2,94

POWER CONSUMPTION (kW)

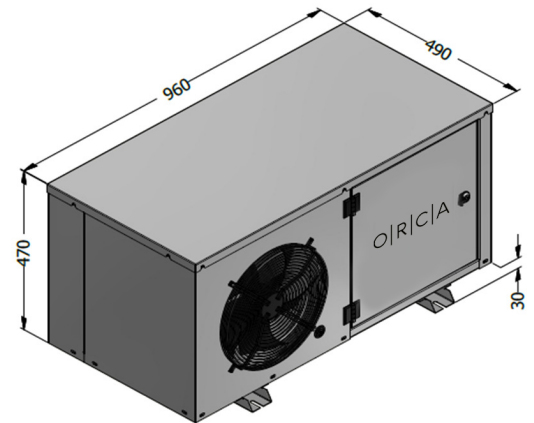
	Tc		
	-10	-5	0
40	1,12	1,20	1,28
45	1,15	1,25	1,34
50	1,18	1,29	1,40

Tc : Condensation temperature
Te : Evaporation temperature

Condenser

Condenser	
Compressor Model	CAJ 4517 Z
Compressor Brand	Tecumseh
Compressor Type	Hermetic
Refrigerant	R404A
Voltage	220 V / 1 / 50 Hz

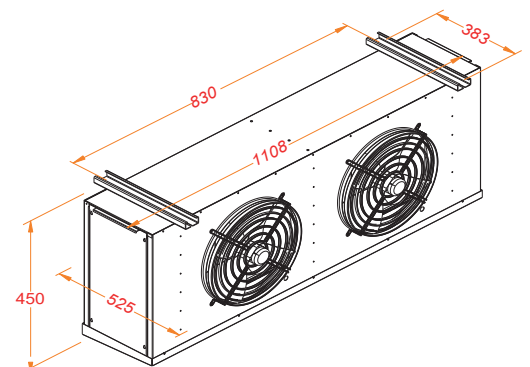
Chassis	
Chassis	TK 1B"1021S"1x350
Fin Spacing	2,5 mm
Fan	1 x Ø 350 mm
Fan Brand	Embpapst
Consump. Capacity	165 Watt
Air Volume	1769,7 m ³ /h
Surface Area	11,44 m ²



Evaporator

Evaporator	
Evaporator	ORE 30.21.6
Fin Spacing	6 mm
Defrost	E1 4 x 125 Watt
Expansion	TV
Fan	2 x Ø 300 mm
Fan Brand	Ebmpapst
Consump. Capacity	144 Watt
Air Volume	2330 m ³ /h
Surface Area	9,6 m ²
Number of Evap.	1

E : Electric
TV : Thermostatic valve



Pipe Diameters (inches)	
Suction Line	1/2"
Liquid Refrigerant Line	1/4"

P: +90 212 694 58 58
F: +90 212 694 58 59

info@tekop.com.tr

Gokevler Mah. 2245 Sok.
No:7 Holpark Sit.
Esenyurt/Istanbul/TURKEY