

## OCST 205-HZ

## REFRIGERATING CAPACITY (kW)

	Tc		
	-10	-5	0
40	2,05	2,56	3,15
45	1,83	2,29	2,82
50	1,60	2,02	2,49

## POWER CONSUMPTION (kW)

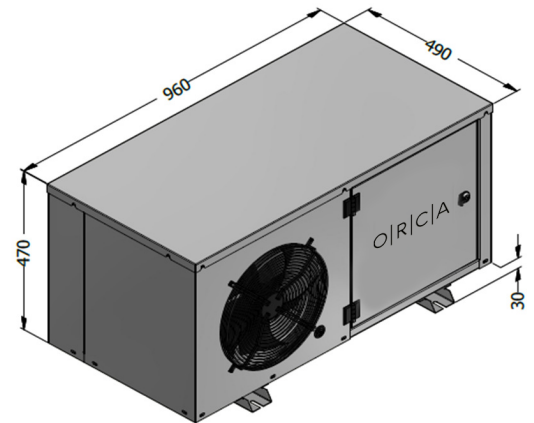
	Tc		
	-10	-5	0
40	0,96	1,04	1,11
45	0,99	1,09	1,17
50	1,02	1,13	1,23

Tc : Condensation temperature  
Te : Evaporation temperature

## Condenser

Condenser	
Compressor Model	CAJ 9513 FZ
Compressor Brand	Tecumseh
Compressor Type	Hermetic
Refrigerant	R404A
Voltage	220 V / 1 / 50 Hz

Chassis	
Chassis	TK 18"1021S"1x300
Fin Spacing	2,5 mm
Fan	1 x Ø 300 mm
Fan Brand	Embpapst
Consump. Capacity	110 Watt
Air Volume	1215,9 m <sup>3</sup> /h
Surface Area	11,44 m <sup>2</sup>

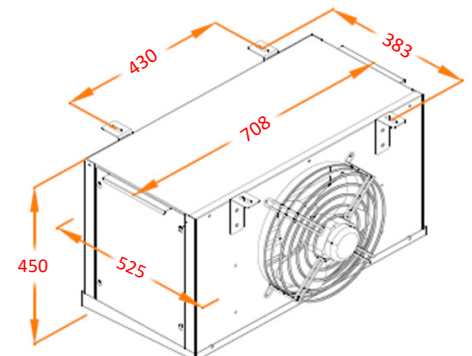


## Evaporator

Evaporator	
Evaporator	ORE 30.12.6
Fin Spacing	6 mm
Defrost	E1 4 x 125 Watt
Expansion	TV
Fan	1 x Ø 300 mm
Fan Brand	Ebmpapst
Consump. Capacity	72 Watt
Air Volume	1050 m <sup>3</sup> /h
Surface Area	6,8 m <sup>2</sup>
Number of Evap.	1

E : Electric  
TV : Thermostatic valve

Pipe Diameters (inches)	
Suction Line	1/2"
Liquid Refrigerant Line	1/4"



P:+90 212 694 58 58  
F:+90 212 694 58 59

info@tekop.com.tr

Gokevler Mah. 2245 Sok.  
No:7 Holpark Sit.  
Esenyurt/Istanbul/TURKEY