

OCST 140-HZ

REFRIGERATING CAPACITY (kW)

Tc	Te		
	-10	-5	0
40	1,29	1,60	1,95
45		1,	1,
50	1,	1,	1,

POWER CONSUMPTION (kW)

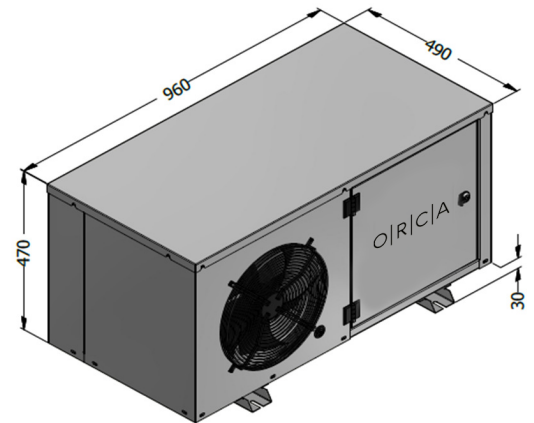
Tc	Te		
	-10	-5	0
40	0,67	0,72	0,76
45	0,	0,	0,8
50	0,71	0,78	0,

Tc : Condensation temperature
Te : Evaporation temperature

Condenser

Condenser	
Compressor Model	CAJ 9480 FZ
Compressor Brand	Tecumseh
Compressor Type	Hermetic
Refrigerant	R404A
Voltage	220 V / 1 / 50 Hz

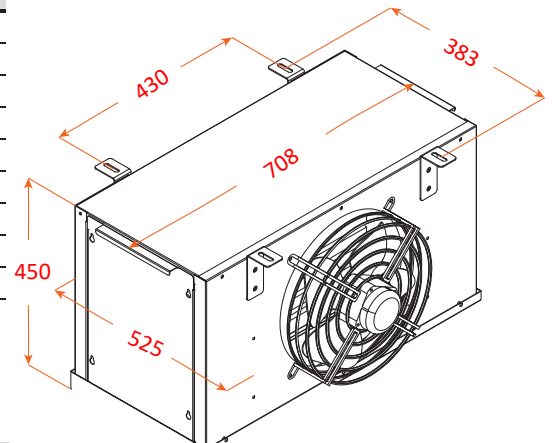
Chassis	TK 1"1021S"1x300
Fin Spacing	2,5 mm
Fan	1 x Ø 300 mm
Fan Brand	Embpapst
Consump. Capacity	110 Watt
Air Volume	1336,3 m ³ /h
Surface Area	8,58 m ²



Evaporator

Evaporator	
Evaporator	ORE 30.11.6
Fin Spacing	6 mm
Defrost	E1 4 x 125 Watt
Expansion	TV
Fan	1 x Ø 300 mm
Fan Brand	Ebmpapst
Consump. Capacity	72 Watt
Air Volume	1170 m ³ /h
Surface Area	4,8 m ²
Number of Evap.	1

E : Electric
TV : Thermostatic valve



Pipe Diameters (inches)	
Suction Line	1/2"
Liquid Refrigerant Line	1/2"

P:+90 212 694 58 58
F:+90 212 694 58 59

info@tekop.com.tr

Gokevler Mah. 2245 Sok.
No:7 Holpark Sit.
Esenyurt/Istanbul/TURKEY