

### OCST 1250-HZ

#### REFRIGERATING CAPACITY (kW)

Tc	Te		
	-10	-5	0
40	11,27	13,94	16,99
45	10,12	12,58	15,36
50	8,96	11,19	13,71

#### POWER CONSUMPTION (kW)

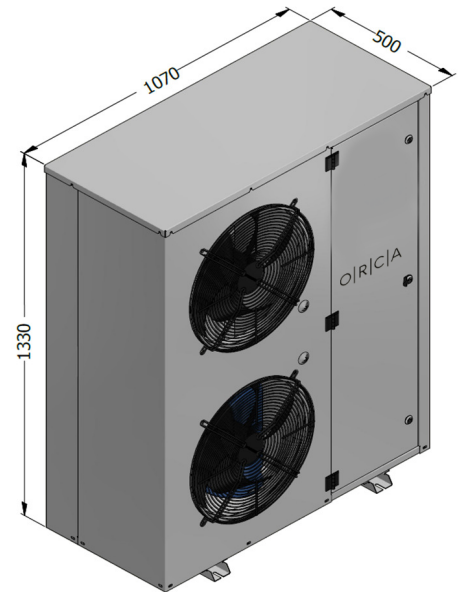
Tc	Te		
	-10	-5	0
40	5,33	5,87	6,39
45	5,46	6,05	6,62
50	5,56	6,21	6,83

Tc : Condensation temperature  
Te : Evaporation temperature

### Condenser

Condenser	
Compressor Model	TAG 4581 Z
Compressor Brand	Tecumseh
Compressor Type	Hermetic
Refrigerant	R404A
Voltage	380 V / 3 / 50 Hz

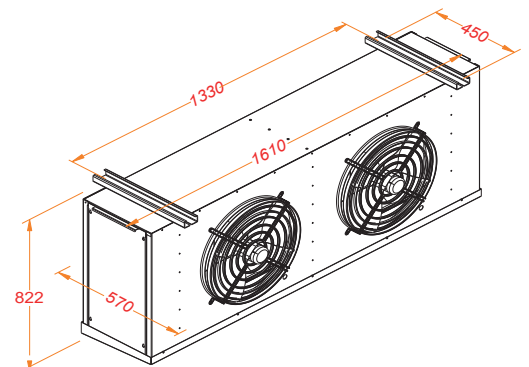
Chassis	TK 400x2#1021S#2x450
Fin Spacing	2,1 mm
Fan	2 x Ø 450 mm
Fan Brand	Embpapst
Consump. Capacity	606 Watt
Air Volume	7503,9 m <sup>3</sup> /h
Surface Area	57,93 m <sup>2</sup>



### Evaporator

Evaporator	ORE 45.22.6
Fin Spacing	6 mm
Defrost	E1 9 x 300 Watt
Expansion	TV
Fan	2 x Ø 450 mm
Fan Brand	Ebmpapst
Consump. Capacity	606 Watt
Air Volume	8800 m <sup>3</sup> /h
Surface Area	56,9 m <sup>2</sup>
Number of Evap.	1

E : Electric  
TV : Thermostatic valve



Pipe Diameters (inches)	
Suction Line	1 1/8"
Liquid Refrigerant Line	5/8"

P: +90 212 694 58 58  
F: +90 212 694 58 59

info@tekop.com.tr

Gokevler Mah. 2245 Sok.  
No:7 Holpark Sit.  
Esenyurt/Istanbul/TURKEY