

OCST 1165-HZ

REFRIGERATING CAPACITY (kW)

Tc	Te		
	-10	-5	0
40	10,29	12,86	15,84
45	9,16	11,51	14,22
50	8,00	10,12	12,57

POWER CONSUMPTION (kW)

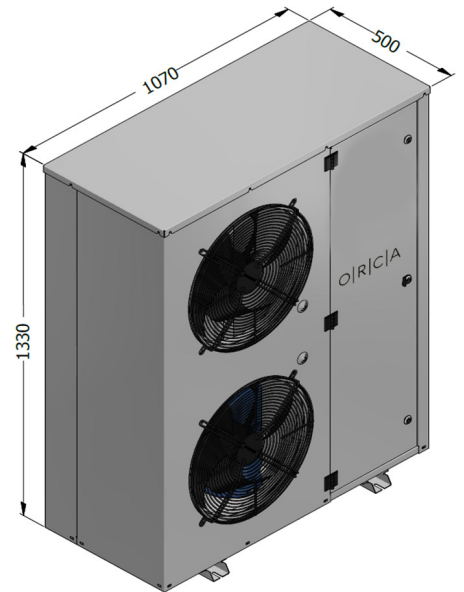
Tc	Te		
	-10	-5	0
40	4,65	5,20	5,75
45	4,73	5,32	5,92
50	4,77	5,41	6,05

Tc : Condensation temperature
Te : Evaporation temperature

Condenser

Condenser	
Compressor Model	TAG 4573 Z
Compressor Brand	Tecumseh
Compressor Type	Hermetic
Refrigerant	R404A
Voltage	380 V / 3 / 50 Hz

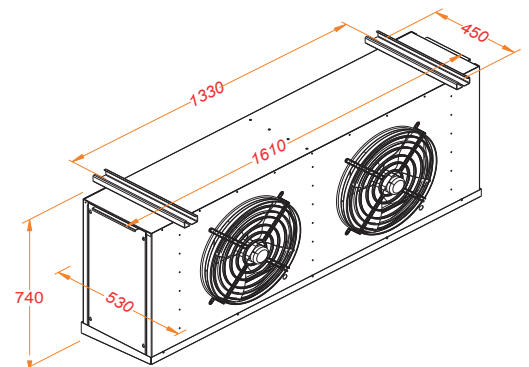
Chassis	TK 400x2#1021S#2x450
Fin Spacing	2,1 mm
Fan	2 x Ø 450 mm
Fan Brand	Embpapst
Consump. Capacity	606 Watt
Air Volume	8182,9 m ³ /h
Surface Area	43,33 m ²



Evaporator

Evaporator	ORE 40.22.6
Fin Spacing	6 mm
Defrost	E1 6 x 300 Watt
Expansion	TV
Fan	2 x Ø 400 mm
Fan Brand	Ebmpapst
Consump. Capacity	438 Watt
Air Volume	6700 m ³ /h
Surface Area	49,9 m ²
Number of Evap.	1

E : Electric
TV : Thermostatic valve



Pipe Diameters (inches)	
Suction Line	7/8"
Liquid Refrigerant Line	1/2"

P:+90 212 694 58 58
F:+90 212 694 58 59

info@tekop.com.tr

Gokevler Mah. 2245 Sok.
No:7 Holpark Sit.
Esenyurt/Istanbul/TURKEY