

### OCST 1065-HZ

#### REFRIGERATING CAPACITY (kW)

	Tc		
	-10	-5	0
40	9,52	11,93	14,71
45	8,48	10,70	13,25
50	7,43	9,46	11,79

#### POWER CONSUMPTION (kW)

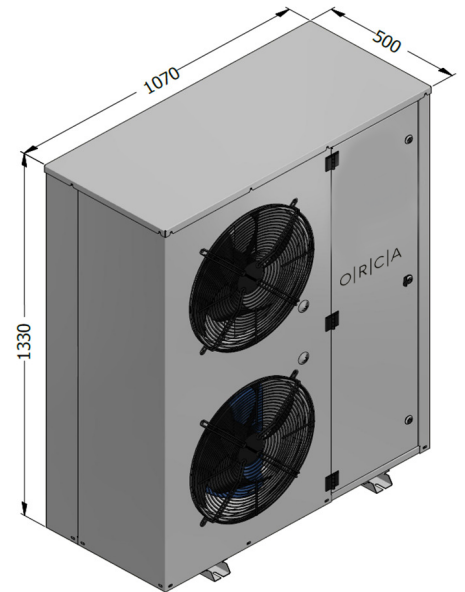
	Tc		
	-10	-5	0
40	4,14	4,57	5,02
45	4,24	4,72	5,20
50	4,33	4,87	5,39

Tc : Condensation temperature  
Te : Evaporation temperature

## Condenser

Condenser	
Compressor Model	TAG 4568 Z
Compressor Brand	Tecumseh
Compressor Type	Hermetic
Refrigerant	R404A
Voltage	380 V / 3 / 50 Hz

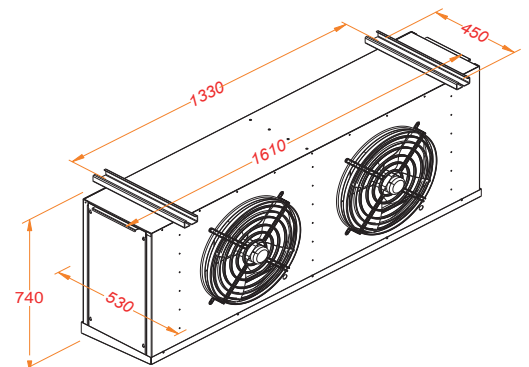
Chassis	
Chassis	TK 400x2#1021S#2x450
Fin Spacing	2,1 mm
Fan	2 x Ø 450 mm
Fan Brand	Embpapst
Consump. Capacity	606 Watt
Air Volume	8182,9 m <sup>3</sup> /h
Surface Area	43,33 m <sup>2</sup>



## Evaporator

Evaporator	
Evaporator	ORE 40.22.6
Fin Spacing	6 mm
Defrost	E1 4 x 400 Watt
Expansion	TV
Fan	2 x Ø 400 mm
Fan Brand	Ebmpapst
Consump. Capacity	438 Watt
Air Volume	4340 m <sup>3</sup> /h
Surface Area	6700 m <sup>2</sup>
Number of Evap.	1

E : Electric  
TV : Thermostatic valve



Pipe Diameters (inches)	
Suction Line	7/8"
Liquid Refrigerant Line	1/2"

P: +90 212 694 58 58  
F: +90 212 694 58 59

info@tekop.com.tr

Gokevler Mah. 2245 Sok.  
No:7 Holpark Sit.  
Esenyurt/Istanbul/TURKEY