

## OCMV 500-HZ

## REFRIGERATING CAPACITY (kW)

|    | Tc   |      |      |
|----|------|------|------|
|    | -10  | -5   | 0    |
| 40 | 4,20 | 5,26 | 6,47 |
| 45 | 3,74 | 4,70 | 5,80 |
| 50 | 3,28 | 4,14 | 5,12 |

## POWER CONSUMPTION (kW)

|    | Tc   |      |      |
|----|------|------|------|
|    | -10  | -5   | 0    |
| 40 | 1,78 | 1,94 | 2,07 |
| 45 | 1,85 | 2,02 | 2,18 |
| 50 | 1,91 | 2,11 | 2,29 |

Tc : Condensation temperature  
Te : Evaporation temperature

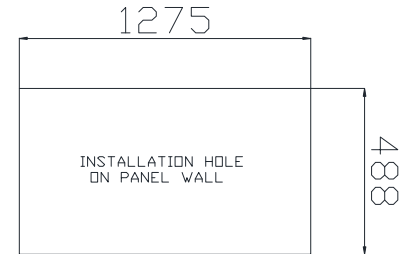
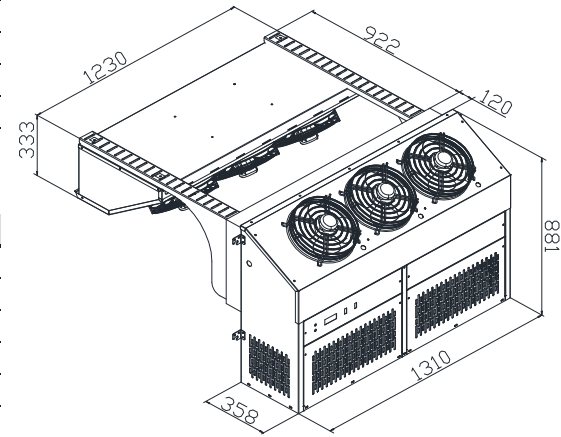
## Monoblock

| Condenser        |                   |
|------------------|-------------------|
| Compressor Model | FH 4532 XG        |
| Compressor Brand | Tecumseh          |
| Compressor Type  | Hermetic          |
| Refrigerant      | R404A             |
| Voltage          | 380 V / 3 / 50 Hz |

| Chassis           |                        |
|-------------------|------------------------|
| Fin Spacing       | 2,5 mm                 |
| Fan               | 3 x Ø 300 mm           |
| Fan Brand         | Embapast               |
| Consump. Capacity | 7220 Watt              |
| Air Volume        | 2262 m <sup>3</sup> /h |
| Surface Area      | 20,6 m <sup>2</sup>    |

| Evaporator        |                          |
|-------------------|--------------------------|
| Fin Spacing       | 4,5 mm                   |
| Defrost           | E                        |
| Expansion         | TV                       |
| Fan               | 3 x Ø 300 mm             |
| Fan Brand         | Ebmpast                  |
| Consump. Capacity | 4295 Watt                |
| Air Volume        | 1720,8 m <sup>3</sup> /h |
| Air Throw         | 5 m                      |
| Surface Area      | 21,98 m <sup>2</sup>     |
| Number of Evap.   | 1                        |

E : Electric  
TV : Thermostatic valve



P:+90 212 694 58 58  
F:+90 212 694 58 59

info@tekop.com.tr

Gokevler Mah. 2245 Sok.  
No:7 Holpark Sit.  
Esenyurt/Istanbul/TURKEY