

OCMV 385-HZ

REFRIGERATING CAPACITY (kW)

	Tc		
	-10	-5	0
40	3,36	4,29	5,35
45	2,94	3,78	4,74
50	2,53	3,28	4,14

Tc : Condensation temperature
Te : Evaporation temperature

POWER CONSUMPTION (kW)

	Tc		
	-10	-5	0
40	1,48	1,64	1,76
45	1,51	1,68	1,83
50	1,52	1,72	1,89

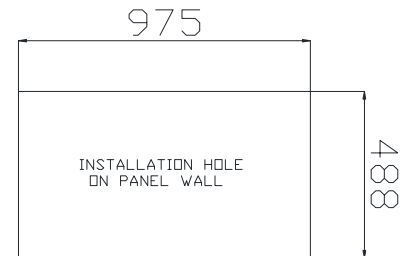
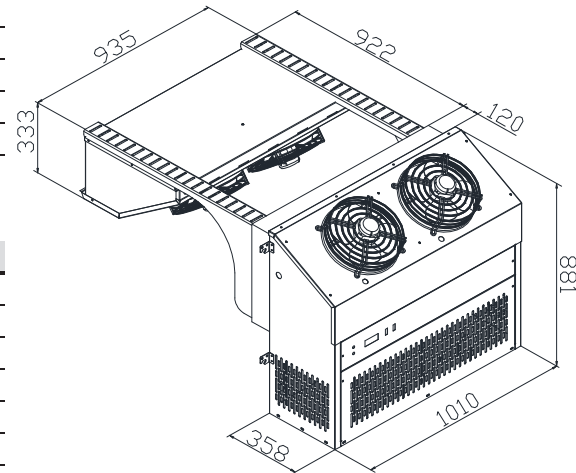
Monoblock

Condenser	
Compressor Model	FH 4524 XG
Compressor Brand	Tecumseh
Compressor Type	Hermetic
Refrigerant	R404A
Voltage	380 V / 3 / 50 Hz

Chassis	
Chassis	OCMV 325-HZ
Fin Spacing	2,5 mm
Fan	2 x Ø 300 mm
Fan Brand	Embpapst
Consump. Capacity	5775 Watt
Air Volume	1507,6 m ³ /h
Surface Area	14,66 m ²

Evaporator	
Fin Spacing	4,5 mm
Defrost	E
Expansion	TV
Fan	2 x Ø 300 mm
Fan Brand	Ebmpapst
Consump. Capacity	3579 Watt
Air Volume	1147,2 m ³ /h
Air Throw	5 m
Surface Area	15,9 m ²
Number of Evap.	1

E : Electric
TV : Thermostatic valve



P:+90 212 694 58 58
F:+90 212 694 58 59

info@tekop.com.tr

Gokevler Mah. 2245 Sok.
No:7 Holpark Sit.
Esenyurt/Istanbul/TURKEY