

## OCMV 140-HZ

## REFRIGERATING CAPACITY (kW)

	Tc		
	-10	-5	0
40	1,39	1,71	2,06
45	1,25	1,53	1,86
50	1,10	1,36	1,66

Tc : Condensation temperature  
Te : Evaporation temperature

## POWER CONSUMPTION (kW)

	Tc		
	-10	-5	0
40	0,69	0,74	0,79
45	0,70	0,76	0,82
50	0,71	0,78	0,85

## Monoblock

## Condenser

Compressor Model	CAJ 9480 Z
Compressor Brand	Tecumseh
Compressor Type	Hermetic
Refrigerant	R404A
Voltage	220 V / 1 / 50 Hz

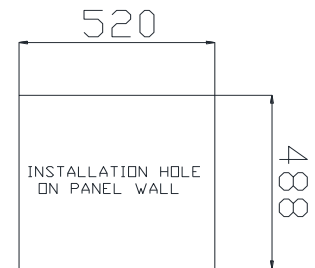
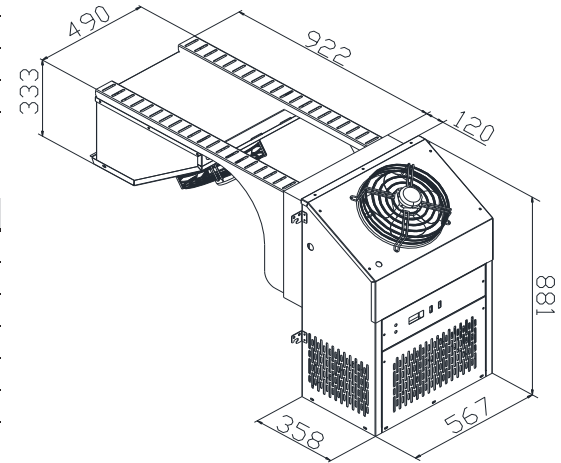
## Chassis

Fin Spacing	2,5 mm
Fan	1 x Ø 300 mm
Fan Brand	Embpapst
Consump. Capacity	3712 Watt
Air Volume	754,1 m <sup>3</sup> /h
Surface Area	7,13 m <sup>2</sup>

## Evaporator

Fin Spacing	4,5 mm
Defrost	E
Expansion	TV
Fan	1 x Ø 300 mm
Fan Brand	Ebmpapst
Consump. Capacity	2012 Watt
Air Volume	550,8 m <sup>3</sup> /h
Air Throw	5 m
Surface Area	7,73 m <sup>2</sup>
Number of Evap.	1

E : Electric  
TV : Thermostatic valve



P:+90 212 694 58 58  
F:+90 212 694 58 59

info@tekop.com.tr

Gokevler Mah. 2245 Sok.  
No:7 Holpark Sit.  
Esenyurt/Istanbul/TURKEY