

### OCIT 995-SZ

#### REFRIGERATING CAPACITY (kW)

	Tc		
	-10	-5	0
40	48.21	58.66	70.75
45	43.74	53.24	64.27
50	39.24	47.80	57.76

#### POWER CONSUMPTION (kW)

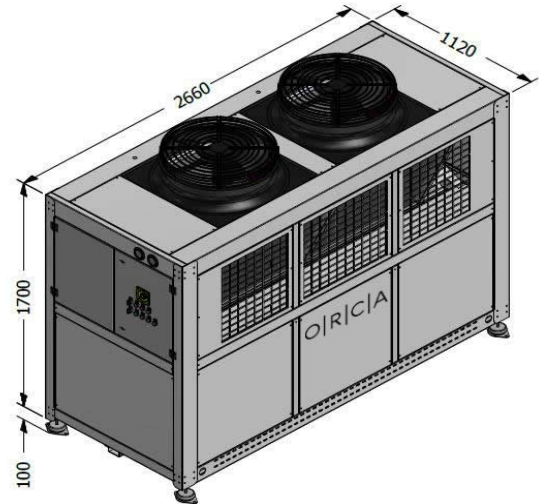
	Tc		
	-10	-5	0
40	17.71	19.33	20.71
45	18.58	20.52	22.28
50	19.50	21.73	23.85

Tc : Condensation temperature  
Te : Evaporation temperature

## Condenser

Condenser	
Compressor Model	H3000CC
Compressor Brand	Dorin
Compressor Type	Semi Hermetic
Refrigerant	R404A
Voltage	400 V / 3 / 50 Hz

Chassis	TK 106
Fin Spacing	2,5 mm
Fan	2 x Ø 630 mm
Fan Brand	Ebmpapst
Consump. Capacity	3940 Watt
Air Volume	28724 m <sup>3</sup> /h
Surface Area	285 m <sup>2</sup>

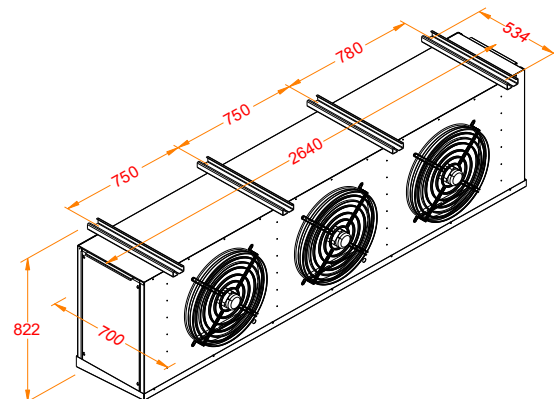


## Evaporator

Evaporator	ORE 50.32.6
Fin Spacing	6 mm
Defrost	E1 12 x 800 Watt
Expansion	TV
Fan	3 x Ø 500 mm
Fan Brand	Ebmpapst
Consump. Capacity	2130 Watt
Air Volume	17520 m <sup>3</sup> /h
Surface Area	131.5 m <sup>2</sup>
Number of Evap.	2

E : Electric  
TV : Thermostatic valve

Pipe Diameters (inches)	
Suction Line	1 5/8"
Liquid Refrigerant Line	1 1/8"



P: +90 212 694 58 58  
F: +90 212 694 58 59

info@tekop.com.tr

Gokevler Mah. 2245 Sok.  
No:7 Holpark Sit.  
Esenyurt/Istanbul/TURKEY