

## OCIT 850-SZ

## REFRIGERATING CAPACITY (kW)

Tc	Te		
	-10	-5	0
40	42.92	52.30	63.18
45	38.93	47.49	57.44
50	34.93	42.66	51.68

## POWER CONSUMPTION (kW)

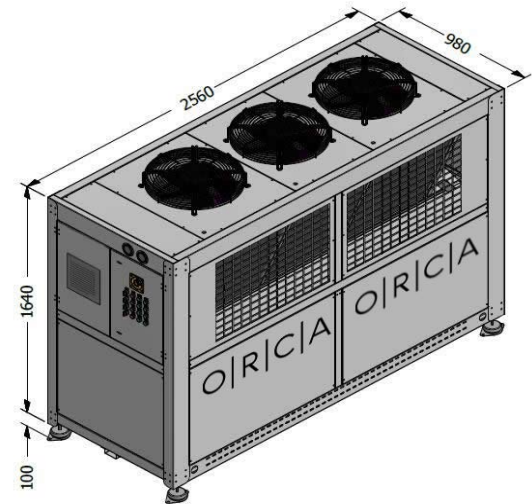
Tc	Te		
	-10	-5	0
40	15.85	17.24	18.44
45	16.60	18.25	19.75
50	17.35	19.26	21.05

Tc : Condensation temperature  
Te : Evaporation temperature

## Condenser

Condenser	
Compressor Model	H2500CC
Compressor Brand	Dorin
Compressor Type	Semi Hermetic
Refrigerant	R404A
Voltage	400 V / 3 / 50 Hz

Chassis	TK 82
Fin Spacing	2,5 mm
Fan	3 x Ø 450 mm
Fan Brand	Ebmpapst
Consump. Capacity	2040 Watt
Air Volume	23670 m <sup>3</sup> /h
Surface Area	228.5 m <sup>2</sup>

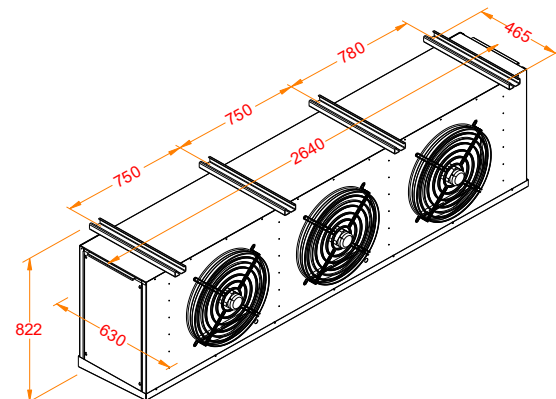


## Evaporator

Evaporator	ORE 50.31.6
Fin Spacing	6 mm
Defrost	E1 12 x 800 Watt
Expansion	TV
Fan	3 x Ø 500 mm
Fan Brand	Ebmpapst
Consump. Capacity	2130 Watt
Air Volume	19100 m <sup>3</sup> /h
Surface Area	98.6 m <sup>2</sup>
Number of Evap.	2

E : Electric  
TV : Thermostatic valve

Pipe Diameters (inches)	
Suction Line	1 3/8"
Liquid Refrigerant Line	7/8"



P:+90 212 694 58 58  
F:+90 212 694 58 59

info@tekop.com.tr

Gokevler Mah. 2245 Sok.  
No:7 Holpark Sit.  
Esenyurt/Istanbul/TURKEY