

OCIT 770-SZ

REFRIGERATING CAPACITY (kW)

	Tc		
	-10	-5	0
40	37.54	45.56	54.72
45	34.13	41.52	49.99
50	30.67	37.42	45.18

POWER CONSUMPTION (kW)

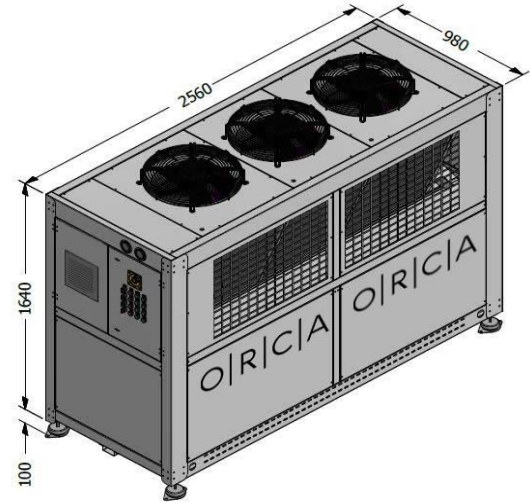
	Tc		
	-10	-5	0
40	14.12	15.24	16.18
45	14.77	16.10	17.28
50	15.37	16.90	18.31

Tc : Condensation temperature
Te : Evaporation temperature

Condenser

Condenser	
Compressor Model	H2201CC
Compressor Brand	Dorin
Compressor Type	Semi Hermetic
Refrigerant	R404A
Voltage	400 V / 3 / 50 Hz

Chassis	TK 82
Fin Spacing	2,5 mm
Fan	3 x Ø 450 mm
Fan Brand	Ebmpapst
Consump. Capacity	2040 Watt
Air Volume	23670 m ³ /h
Surface Area	228.5 m ²

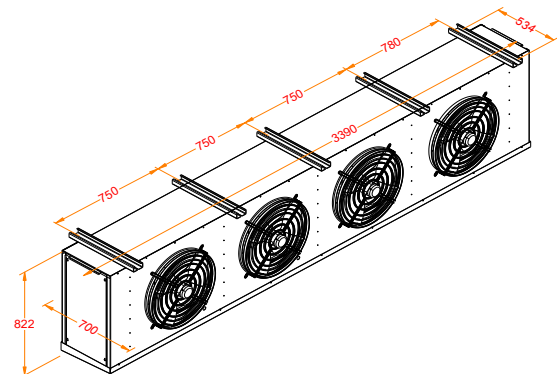


Evaporator

Evaporator	ORE 50.42.6
Fin Spacing	6 mm
Defrost	E1 12 x 1050 Watt
Expansion	TV
Fan	4 x Ø 500 mm
Fan Brand	Ebmpapst
Consump. Capacity	2840 Watt
Air Volume	23380 m ³ /h
Surface Area	175.3 m ²
Number of Evap.	1

E : Electric
TV : Thermostatic valve

Pipe Diameters (inches)	
Suction Line	1 5/8"
Liquid Refrigerant Line	1 1/8"



P: +90 212 694 58 58
F: +90 212 694 58 59

info@tekop.com.tr

Gokevler Mah. 2245 Sok.
No:7 Holpark Sit.
Esenyurt/Istanbul/TURKEY