

OCIT 665-SZ

REFRIGERATING CAPACITY (kW)

Tc	Te		
	-10	-5	0
40	33.05	40.02	47.99
45	30.12	36.56	43.94
50	27.13	33.03	39.82

POWER CONSUMPTION (kW)

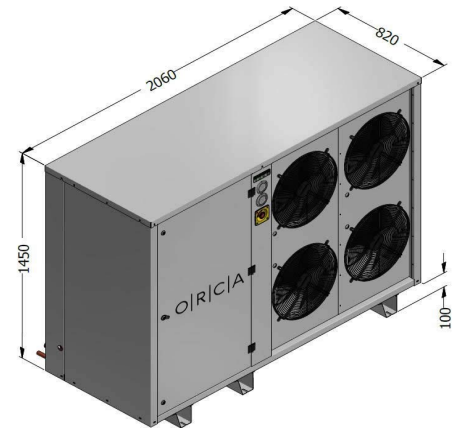
Tc	Te		
	-10	-5	0
40	12.43	13.54	14.59
45	13.03	14.33	15.58
50	13.58	15.06	16.52

Tc : Condensation temperature
Te : Evaporation temperature

Condenser

Condenser	
Compressor Model	H2001CC
Compressor Brand	Dorin
Compressor Type	Semi Hermetic
Refrigerant	R404A
Voltage	400 V / 3 / 50 Hz

Chassis	TK 500x4
Fin Spacing	2,1 mm
Fan	4 x Ø 500 mm
Fan Brand	Ebmpapst
Consump. Capacity	2720 Watt
Air Volume	20147 m ³ /h
Surface Area	131.49 m ²

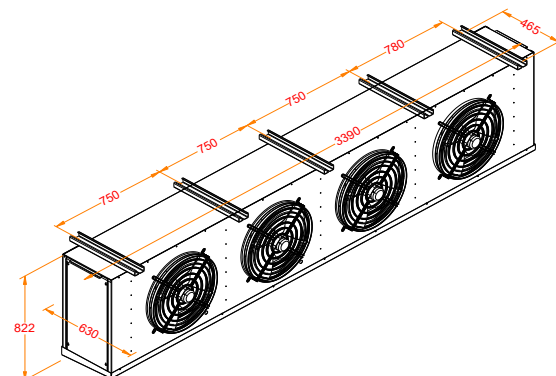


Evaporator

Evaporator	ORE 50.41.6
Fin Spacing	6 mm
Defrost	E1 12 x 1050 Watt
Expansion	TV
Fan	3 x Ø 500 mm
Fan Brand	Ebmpapst
Consump. Capacity	2720 Watt
Air Volume	25470 m ³ /h
Surface Area	131.5 m ²
Number of Evap.	1

E : Electric
TV : Thermostatic valve

Pipe Diameters (inches)	
Suction Line	1 5/8"
Liquid Refrigerant Line	1 1/8"



P: +90 212 694 58 58
F: +90 212 694 58 59

info@tekop.com.tr

Gokevler Mah. 2245 Sok.
No:7 Holpark Sit.
Esenyurt/Istanbul/TURKEY