

### OCIT 475-SZ

#### REFRIGERATING CAPACITY (kW)

Tc	Te		
	-10	-5	0
40	23.89	29.03	34.91
45	21.65	26.33	31.69
50	19.47	23.69	28.53

#### POWER CONSUMPTION (kW)

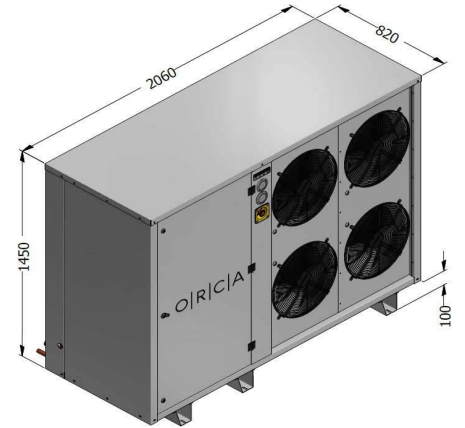
Tc	Te		
	-10	-5	0
40	9.17	9.88	10.52
45	9.61	10.44	11.21
50	10.03	10.97	11.86

Tc : Condensation temperature  
Te : Evaporation temperature

## Condenser

Condenser	
Compressor Model	H1003CC
Compressor Brand	Dorin
Compressor Type	Semi Hermetic
Refrigerant	R404A
Voltage	400 V / 3 / 50 Hz

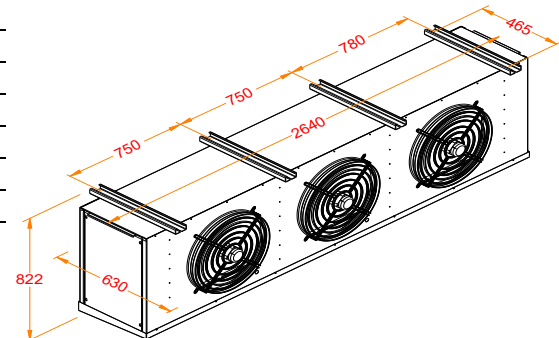
Chassis	
Chassis	TK 450x4
Fin Spacing	2,1 mm
Fan	4 x Ø 450 mm
Fan Brand	Ebmpapst
Consump. Capacity	980 Watt
Air Volume	15141 m <sup>3</sup> /h
Surface Area	93.98 m <sup>2</sup>



## Evaporator

Evaporator	
Evaporator	ORE 50.31.6
Fin Spacing	6 mm
Defrost	E1 12 x 800 Watt
Expansion	TV
Fan	3 x Ø 500 mm
Fan Brand	Ebmpapst
Consump. Capacity	2130 Watt
Air Volume	19100 m <sup>3</sup> /h
Surface Area	98.6 m <sup>2</sup>
Number of Evap.	1

E : Electric  
TV : Thermostatic valve



Pipe Diameters (inches)	
Suction Line	1 3/8"
Liquid Refrigerant Line	7/8"

P: +90 212 694 58 58  
F: +90 212 694 58 59

info@tekop.com.tr

Gokevler Mah. 2245 Sok.  
No:7 Holpark Sit.  
Esenyurt/Istanbul/TURKEY