

REFRIGERATING CAPACITY (kW)

Tc	Te		
	-10	-5	0
40	15.55	19.01	22.97
45	14.08	17.26	20.91
50	12.59	15.49	18.83

POWER CONSUMPTION (kW)

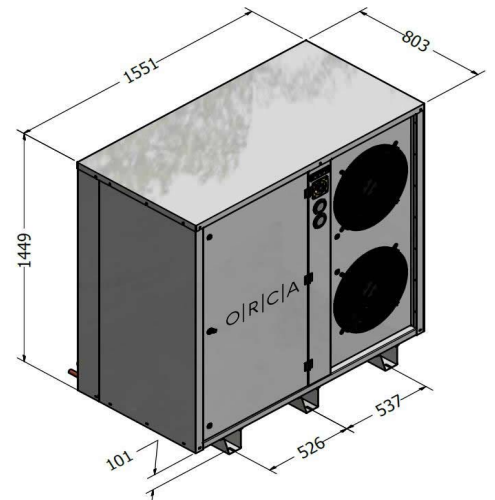
Tc	Te		
	-10	-5	0
40	6.04	6.53	6.95
45	6.33	6.92	7.45
50	6.59	7.27	7.90

Tc : Condensation temperature
Te : Evaporation temperature

Condenser

Condenser	
Compressor Model	H705CC
Compressor Brand	Dorin
Compressor Type	Semi Hermetic
Refrigerant	R404A
Voltage	400 V / 3 / 50 Hz

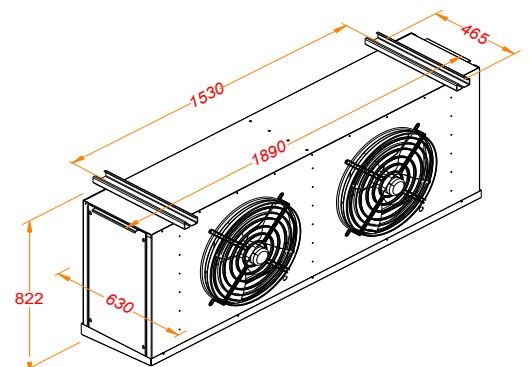
Chassis	TK 500x2
Fin Spacing	2,1 mm
Fan	2 x Ø 500 mm
Fan Brand	Ebmpapst
Consump. Capacity	1360 Watt
Air Volume	10074 m ³ /h
Surface Area	60.24 m ²



Evaporator

Evaporator	
Evaporator	ORE 50.21.6
Fin Spacing	6 mm
Defrost	E1 12 x 520 Watt
Expansion	TV
Fan	2 x Ø 500 mm
Fan Brand	Ebmpapst
Consump. Capacity	1420 Watt
Air Volume	12740 m ³ /h
Surface Area	65.7 m ²
Number of Evap.	1

E : Electric
TV : Thermostatic valve



Pipe Diameters (inches)	
Suction Line	1 1/8"
Liquid Refrigerant Line	7/8"

P: +90 212 694 58 58
F: +90 212 694 58 59

info@tekop.com.tr

Gokevler Mah. 2245 Sok.
No:7 Holpark Sit.
Esenyurt/Istanbul/TURKEY