

### OCIT 215-SZ

#### REFRIGERATING CAPACITY (kW)

	Tc		
	-10	-5	0
40	10.91	13.41	16.29
45	9.89	12.20	14.87
50	8.86	10.98	13.44

#### POWER CONSUMPTION (kW)

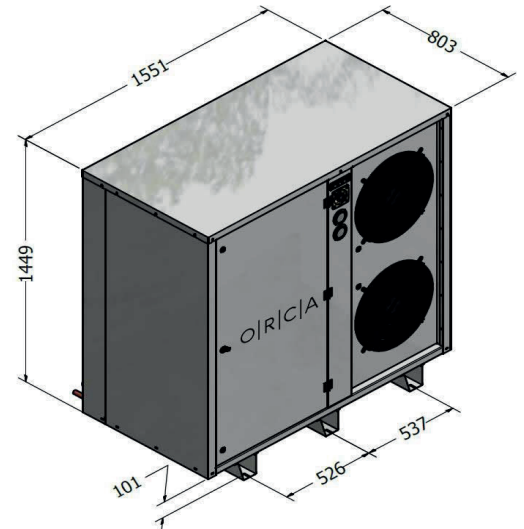
	Tc		
	-10	-5	0
40	4.35	4.72	5.04
45	4.56	5.01	5.42
50	4.75	4.27	5.76

Tc : Condensation temperature  
Te : Evaporation temperature

### Condenser

Condenser	
Compressor Model	H405CC
Compressor Brand	Dorin
Compressor Type	Semi Hermetic
Refrigerant	R404A
Voltage	400 V / 3 / 50 Hz

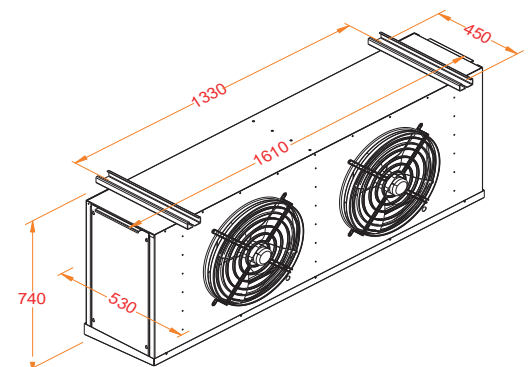
Chassis	
Chassis	TK 400x2
Fin Spacing	2,1 mm
Fan	2 x Ø 400 mm
Fan Brand	Ebmpapst
Consump. Capacity	320 Watt
Air Volume	6227 m <sup>3</sup> /h
Surface Area	60,24 m <sup>2</sup>



### Evaporator

Evaporator	
Evaporator	ORE 40.22.6
Fin Spacing	6 mm
Defrost	E1 9 x 400 Watt
Expansion	TV
Fan	2 x Ø 400 mm
Fan Brand	Ebmpapst
Consump. Capacity	438 Watt
Air Volume	6700 m <sup>3</sup> /h
Surface Area	49,9 m <sup>2</sup>
Number of Evap.	1

E : Electric  
TV : Thermostatic valve



Pipe Diameters (inches)	
Suction Line	7/8"
Liquid Refrigerant Line	1/2"

P:+90 212 694 58 58  
F:+90 212 694 58 59

info@tekop.com.tr

Gokevler Mah. 2245 Sok.  
No:7 Holpark Sit.  
Esenyurt/Istanbul/TURKEY