

OCIT 1540-SZ

REFRIGERATING CAPACITY (kW)

Tc	Te		
	-10	-5	0
40	76.00	92.54	111.70
45	68.80	83.85	101.30
50	61.69	75.27	91.02

POWER CONSUMPTION (kW)

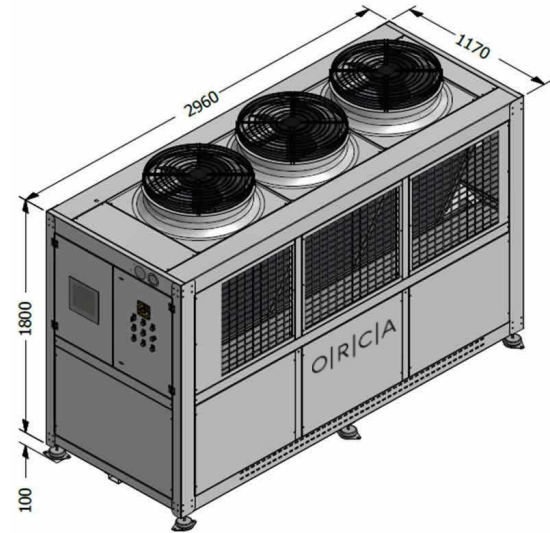
Tc	Te		
	-10	-5	0
40	28.08	30.77	33.23
45	29.60	32.77	35.77
50	31.29	34.93	38.48

Tc : Condensation temperature
Te : Evaporation temperature

Condenser

Condenser	
Compressor Model	H4500CC
Compressor Brand	Dorin
Compressor Type	Semi Hermetic
Refrigerant	R404A
Voltage	400 V / 3 / 50 Hz

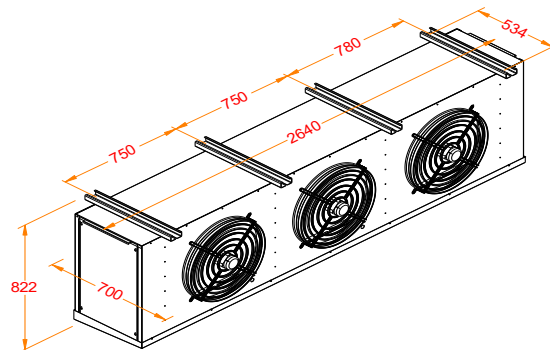
Chassis	TK 140
Fin Spacing	2,5 mm
Fan	3 x Ø 630 mm
Fan Brand	Ebmpapst
Consump. Capacity	5910 Watt
Air Volume	44715 m ³ /h
Surface Area	329.7 m ²



Evaporator

Evaporator	ORE 50.32.6
Fin Spacing	6 mm
Defrost	E1 12 x 800 Watt
Expansion	TV
Fan	3 x Ø 500 mm
Fan Brand	Ebmpapst
Consump. Capacity	2130 Watt
Air Volume	17520 m ³ /h
Surface Area	131.5 m ²
Number of Evap.	3

E : Electric
TV : Thermostatic valve



Evaporator values are given for 1 unit.

Pipe Diameters (inches)	
Suction Line	1 5/8"
Liquid Refrigerant Line	1 1/8"

P:+90 212 694 58 58
F:+90 212 694 58 59

info@tekop.com.tr

Gokevler Mah. 2245 Sok.
No:7 Holpark Sit.
Esenyurt/Istanbul/TURKEY