

OCIT 1340-SZ

REFRIGERATING CAPACITY (kW)

	Tc		
	-10	-5	0
40	70.09	85.14	102.50
45	63.62	77.32	93.14
50	57.22	69.59	83.90

POWER CONSUMPTION (kW)

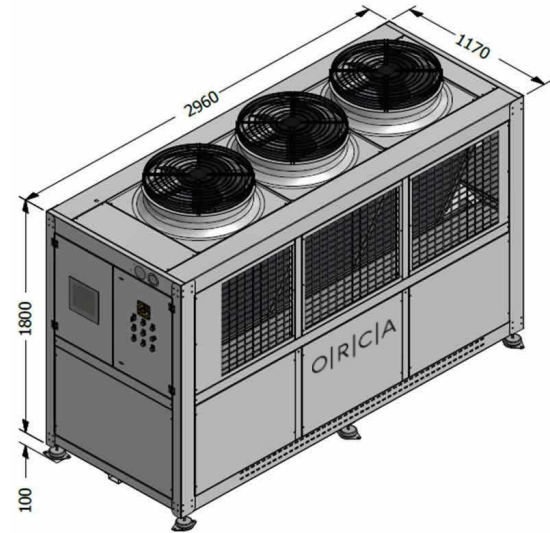
	Tc		
	-10	-5	0
40	26.60	28.96	30.97
45	27.79	30.62	33.19
50	28.90	32.18	35.28

Tc : Condensation temperature
Te : Evaporation temperature

Condenser

Condenser	
Compressor Model	H4000CC
Compressor Brand	Dorin
Compressor Type	Semi Hermetic
Refrigerant	R404A
Voltage	400 V / 3 / 50 Hz

Chassis	
Chassis	TK 140
Fin Spacing	2,5 mm
Fan	3 x Ø 630 mm
Fan Brand	Ebmpapst
Consump. Capacity	5910 Watt
Air Volume	44715 m ³ /h
Surface Area	329.7 m ²

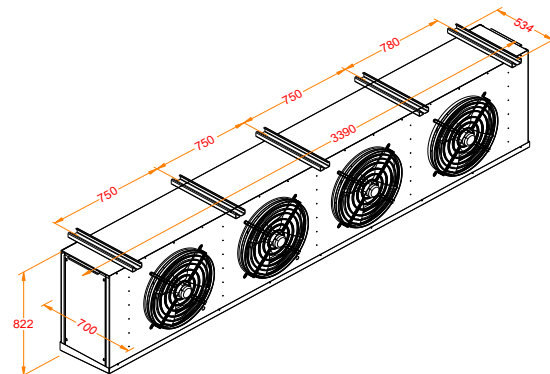


Evaporator

Evaporator	
Evaporator	ORE 50.42.6
Fin Spacing	6 mm
Defrost	E1 12 x 1050 Watt
Expansion	TV
Fan	4 x Ø 500 mm
Fan Brand	Ebmpapst
Consump. Capacity	2840 Watt
Air Volume	23380 m ³ /h
Surface Area	175.3 m ²
Number of Evap.	2

E : Electric
TV : Thermostatic valve

Pipe Diameters (inches)	
Suction Line	1 5/8"
Liquid Refrigerant Line	1 1/8"



Evaporator values are given for 1 unit.

P:+90 212 694 58 58
F:+90 212 694 58 59

info@tekop.com.tr

Gokevler Mah. 2245 Sok.
No:7 Holpark Sit.
Esenyurt/Istanbul/TURKEY